

# Care, Use and Installation booklet

TUMBLE DRYER

EN

English

F

Français, 14

DV6400X

## Contents

### Dryer Safety, 2-3

### Operating Instructions, 4

The front  
The back  
Control panel

### Start and Programs, 5-6

Choosing a program  
Programs

### Laundry, 7-8

Sorting your laundry  
Wash care labels  
Special clothing items  
Sample dry loads

### Cleaning & Maintenance, 9

When you should switch off the electricity  
Clean the filter after each cycle  
Check the drum after each cycle  
Cleaning the dryer

### Troubleshooting, 10

Spare parts

### Installation, 11-12

Where to put your dryer  
RV/Marine installations  
Accessories  
Exhaust ducting  
Grounding Instructions

### After-sales service, 13

### Warranty, 27

**Splendide**

# Dryer Safety

EN

## Your safety and the safety of others are very important.

We have provided many important safety messages in this manual and on your appliance. Always read and obey all safety messages.



This is the safety alert symbol.

This symbol alerts you to potential hazards that can kill or hurt you and others.

All safety messages will follow the safety alert symbol and either the word “DANGER” or “WARNING.”

These words mean:

 **DANGER**

You can be killed or seriously injured if you don't immediately follow instructions.

 **WARNING**

You can be killed or seriously injured if you don't follow instructions.

All safety messages will tell you what the potential hazard is, tell you how to reduce the chance of injury, and tell you what can happen if the instructions are not followed.



## **WARNING** - “Risk of Fire”

- Clothes dryer installation must be performed by a qualified installer.
- Install the clothes dryer according to the manufacturer's instructions and local codes.
- Do not install a clothes dryer with flexible plastic venting materials or flexible metal (foil type) duct. If flexible metal duct is installed, it must be of a specific type identified by the appliance manufacturer as suitable for use with clothes dryers. Flexible venting materials are known to collapse, be easily crushed, and trap lint. These conditions will obstruct clothes dryer airflow and increase the risk of fire.
- To reduce the risk of severe injury or death, follow all installation instructions.
- Save these instructions.

See Installation Instructions for Grounding

## IMPORTANT SAFETY INSTRUCTIONS

**WARNING:** To reduce the risk of fire, electric shock, or injury to persons when using the dryer, follow basic precautions, including the following:

- Read all instructions before using the dryer.
- Do not place items exposed to cooking oils in your dryer. Items contaminated with cooking oils may contribute to a chemical reaction that could cause a load to catch fire.
- To reduce the risk of fire due to contaminated loads, the final part of a tumble dryer cycle occurs without heat (cool down period). Avoid stopping a tumble dryer before the end of the drying cycle unless all items are quickly removed and spread out so that the heat is dissipated.
- Do not dry articles that have been previously cleaned in, washed in, soaked in, or spotted with gasoline, dry-cleaning solvents, or other flammable or explosive substances as they give off vapors that could ignite or explode.
- Do not allow children to play on or in the dryer. Close supervision of children is necessary when the dryer is used near children.
- Before the dryer is removed from service or discarded, remove the door to the drying compartment.
- Do not reach into the dryer if the drum is moving.
- Do not install or store the dryer where it will be exposed to the weather.
- Do not tamper with controls.
- Do not repair or replace any part of the dryer or attempt any servicing unless specifically recommended in this Use and Care Guide or in published user-repair instructions that you understand and have the skills to carry out.
- Do not use fabric softeners or products to eliminate static unless recommended by the manufacturer of the fabric softener or product.
- Do not use heat to dry articles containing foam rubber or similarly textured rubber-like materials.
- Clean lint screen before or after each load.
- Keep area around the exhaust opening and adjacent surrounding areas free from the accumulation of lint, dust, and dirt.
- The interior of the dryer and exhaust vent should be cleaned periodically by qualified service personnel.
- See Installation Instructions for grounding instructions.

**SAVE THESE INSTRUCTIONS**

## IMPORTANT SAFETY INSTRUCTIONS

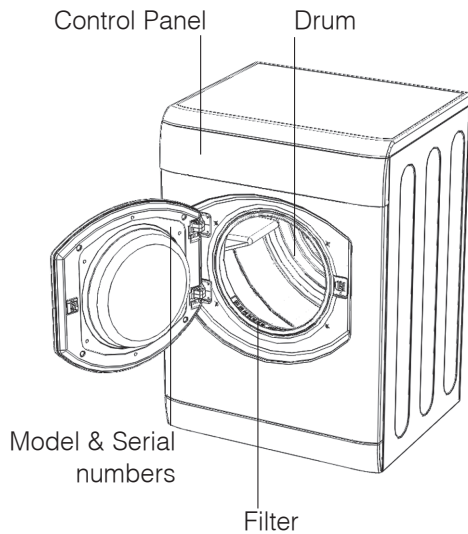
When discarding or storing your old clothes dryer, remove the door.

**SAVE THESE INSTRUCTIONS**

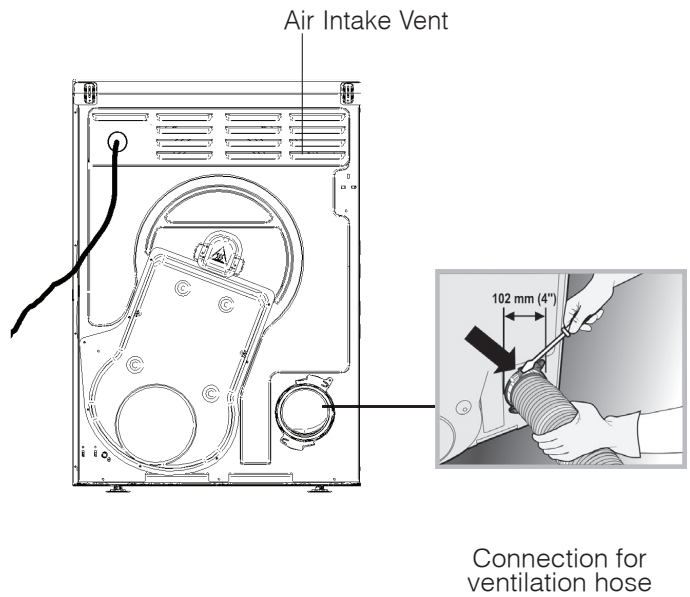
# Operating Instructions

EN

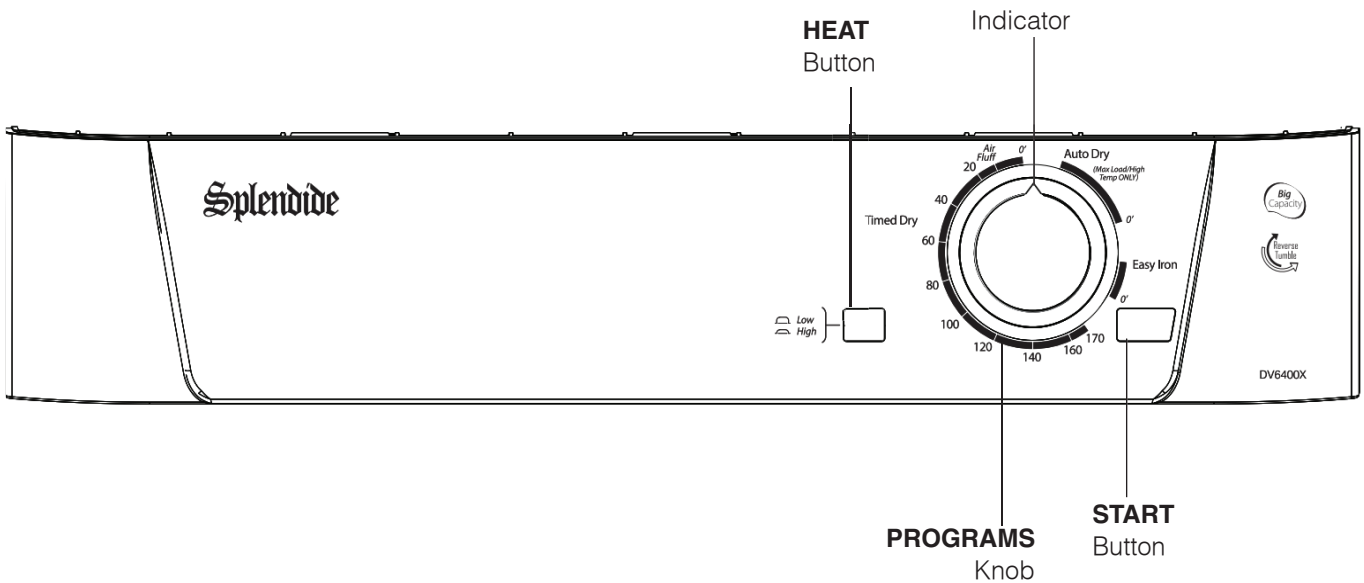
## The front



## The back



## Control panel



The **START** button begins drying a selected program (see *Start and Programs*).

The **HEAT** button selects drying temperature (see *Start and Programs*).

IN: HIGH heat.  
OUT: LOW heat.

The *Drying Guide* allows you to consult a user friendly table of fabric types and load capacities.

The *Special Programs Guide* gives a guide to the available programs.

The **PROGRAMS** knob sets the program: rotate it clockwise, **never counter-clockwise**, until the indicator is pointing to the program you want to select (see *Start and Programs*). The programs knob will advance to the '0' position after the program ends.

## Choosing a program

EN

### **⚠ WARNING**



#### **Electrical Shock Hazard**

**Plug into a grounded 3 prong outlet.**

**Do not remove ground prong.**

**Do not use an adapter.**

**Do not use an extension cord.**

**Failure to follow these instructions can result in death, fire, or electrical shock.**

1. Plug dryer into a grounded 3 prong outlet.
2. Sort your laundry according to fabric type (see *Laundry*).
3. Open the door and make sure the filter is clean and in place (see *Maintenance*).
4. Load the machine and make sure that the items are not in the way of the door seal. Close the door.
5. Choose the drying program by checking the Programs table (see *Programs*) as well as the indications for each type of fabric (see *Laundry*). - Set the temperature with the HEAT button. - Select a program or drying time by rotating the PROGRAMS knob clockwise.
6. Press the START button to begin. During the drying program, you can check on your laundry and take out items that are dry while others continue drying. When you close the door again, press START in order to resume drying.
7. About 10 minutes before the program is completed, it enters the final AIR FLUFF phase (fabrics are cooled), which should always be allowed to complete.
8. Open the door, take your laundry out, clean the filter and replace it (see *Maintenance*).
9. Unplug the dryer.

# Start and Programs

EN

## Programs

<i>Program</i>	<i>What it does...</i>	<i>How to set it...</i>	<i>Note:</i>
<b>Timed Dry</b> up to 170 minutes	Dries wet clothing that will be ironed, acrylic fibers or small loads (less than 2 lb / 1 kg).	1. Select required heat setting HIGH HEAT or LOW HEAT by pressing the HEAT button. 2. Position the PROGRAMS knob on the desired time. 3. Press the START button.	Consult suggested drying times ( <i>see Laundry</i> ).
<i>Fabric Care</i> <b>Air Fluff</b>	Heating elements turn themselves off and clothing is cooled down.	This is the final phase of all programs. Approximately 10 minutes before the finish, the knob advances automatically to the Air Fluff phase. After this the clothing is ready to be taken out.	Always allow the dryer to complete this phase.
<i>Fabric Care</i> <b>Easy Iron</b>	Brief program (approximately 10 minutes) that softens fibers of clothing that is ready for ironing.	1. Select HIGH HEAT by pressing the HEAT button. 2. Position the PROGRAMS knob on Easy Iron. 3. Press the START button.	Important: This is not a drying program ( <i>see below</i> ).
<i>Fabric Care</i> <b>Auto Dry</b>	Regular Cottons, Permanent Press.	1. Select HIGH HEAT by pressing the HEAT button. 2. Position the PROGRAMS knob on Auto Dry. 3. Press the START button.	Important: If you select LOW HEAT, this program will not dry your clothes. For Acrylic fibers or small loads select Timed Drying. For use with large loads, High Heat Only

## Easy Iron Program

Easy Iron is a short 10 minute program (8 minutes of heat followed by a 2 minute Air Fluff period) which fluffs the fibers of clothing that have been left in the same position/location for an extended period of time. The cycle relaxes the fibers and makes them easier to iron and fold.

Easy Iron is **not a drying program** and should not be used for wet articles of clothing.

For best results:

1. Do not load more than the maximum capacity.

These numbers refer to the dry weight:

<b>Fabric</b>	<b>Maximum load</b>
Regular Cotton and Regular Cotton mix	5.5 lb / 2.5 kg
Permanent Press	4 lb / 2 kg
Denim	4 lb / 2 kg

2. Unload the dryer immediately after the end of the program, hang, fold or iron the articles and put them away. Should this not be possible, repeat the program.

The Easy Iron effect varies from one fabric to the next. It works very well on traditional fabrics like Regular Cottons or Regular Cotton mix, and less well on acrylic fibers.

## ⚠ WARNING



### Fire Hazard

- No washer can completely remove oil.
- Do not dry anything that has ever had any type of oil on it (including cooking oils).
- Do not dry items containing foam, rubber, or plastic in this dryer.
- Doing so can result in death or fire.

## ⚠ WARNING



### Explosion Hazard

- Keep flammable materials and vapors, such as gasoline, away from dryer.
- Do not dry anything that has ever had anything flammable on it (even after washing).
- Failure to follow these instructions can result in death, explosion, or fire.





## Sorting your laundry

- Check symbols on clothing labels to make sure that the articles can be tumble dried.
- Sort laundry by fabric type.
- Empty pockets and check buttons.
- Close zippers and hooks and tie loose belts and strings.
- Wring out each item in order to eliminate as much excess water as possible.


Do not load dripping wet clothes into the dryer.

## Wash Care Labels

Look at the labels on your garments, especially when tumble drying for the first time. The following symbols are the most common:

-  May be tumble dried
-  Do **not** tumble dry
-  Tumble dry at high heat setting
-  Tumble dry at low heat setting

## What not to tumble dry in your dryer:

- Articles that contain rubber or rubber-like materials or plastic film (pillows, cushions, or PVC rainwear), any other flammable objects or objects that contain flammable substances (towels soiled with hair spray).
- Glass fibres (certain types of draperies).
- Items which have been dry cleaned.
- Items with the ITCL Code (see *Special clothing items*) . These can be cleaned with special at-home dry cleaning products. Follow instructions carefully.
- Large bulky items (quilts, sleeping bags, pillows, cushions, large bedspreads etc). These expand when drying and would prevent airflow through the dryer.

## Maximum load size

Do not load more than maximum capacity. These numbers refer to dry weight:  
 Natural fibres: 6 kg max (13 lb)  
 Synthetic fibres: 3 kg max (6.6 lb)

DO NOT overload the dryer as this could result in reduced drying performance.

## Typical weights

Clothes			
Blouse	Cotton	150 g	5 oz
	Other	100 g	3 oz
Dress	Cotton	500 g	1 lb 2 oz
	Other	350 g	12 oz
Jeans		700 g	1 lb 6 oz
10 Diapers		1000 g	2 lb 3 oz
Shirt	Cotton	300 g	10 oz
	Other	200 g	7 oz
T-Shirt		125 g	4 oz

Household Items			
Duvet cover (Double)	Cotton	1500 g	3 lb 5 oz
	Other	1000 g	2 lb 3 oz
Large Tablecloth		700 g	1 lb 6 oz
Small Tablecloth		250 g	9 oz
Tea Towel		100 g	3 oz
Bath Towel		700 g	1 lb 6oz
Hand Towel		350 g	12 oz
Double Sheet		500 g	1 lb 2 oz
Single Sheet		350 g	12 oz

At the end of a drying cycle, cottons could still be damp if you grouped cottons and permanent press items together. If this happens simply give them an additional short period of drying.

# Laundry

EN

## Special clothing items

**Blankets and Bedspreads:** acrylic items (Acilan, Courtelle, Orion, Dralon) **must be dried** with special care on LOW heat setting. Avoid drying for a long period of time.

**Pleated or creased garments:** read the manufacturer's drying instructions on the garment.

**Starched articles:** do not dry these with non-starched items. Make sure that as much of the starch solution is removed from the load as possible before placing it in the dryer. Do not over-dry: the starch will become powdery and leave your clothing limp, which defeats the purpose of starch.

## Sample Dry Loads\*

### Sample Load 1: RV Sheet Set

Wash Cycle: Regular Cotton Heavy Duty

Dry Time: 70-90 minutes (add 15 min. for std. sheets)

1 Flat Sheet (90"x102" / all 230 thread count)

1 Fitted Sheet (60"x80")

2 Standard Pillowcases (21"x32")

### Sample Load 2:

Wash Cycle: Regular Cotton Heavy Duty

Dry Time: 90-120 minutes

3 Pairs Jeans (35" waist / 32" inseam)

2 Wash Cloths (13"x13")

1 Pair Boxer Shorts

6 Hand Towels (16"x28")

### Sample Load 3:

Wash Cycle: Regular Cotton Heavy Duty

Dry Time: 120-140 minutes

3 Pairs Jeans (35" waist / 32" inseam)

1 Large Sweat Shirt (50% cotton / 50% polyester)

2 Pillowcases (21"x32")

2 Wash Cloths (13"x13")

5 Hand Towels (16"x28")

\*Times are approximate and can vary depending upon:

- Amount of water retained in clothes after spin cycle: towels and delicates retain a lot of water.
- Fabrics: items that are the same type of fabric but different textures and thicknesses may not have the same drying time.
- Quantity of laundry: single items or small loads may take longer to dry.
- Dryness: If you are going to iron some of your clothes, they can be taken out while still a bit damp. Others can be left longer if you need them to be completely dry.
- Heat setting.
- Room temperature: if the room where the dryer is located is cold, it will take longer for the dryer to dry your clothes.
- Bulk: some bulky items can be tumble dried with care. We suggest that you remove these items several times, shake them out, and return them to the dryer until finished.

Do not over-dry your clothes.

All fabrics contain a little natural moisture, which keeps them soft and fluffy.

NOTE: This clothes dryer's Government energy certifications were based on the Timed Dry/170 Minutes Cycle, Maximum Drying Temperature Setting. The as-shipped defaults of Auto, High Heat, were used.



## When you should switch off the electricity

Unplug the dryer when not using it, when cleaning it and during maintenance activities.

## Clean the filter after each cycle

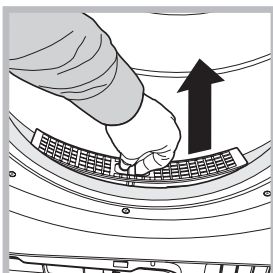
The filter is an important part of your dryer: it accumulates lint and fluff that is formed while drying. Small items could also become trapped in the filter.



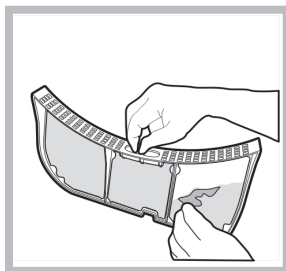
When finished drying, therefore, clean the filter by rinsing it under running water or with your vacuum cleaner. Should the filter become clogged up, the airflow inside the dryer will be seriously compromised: drying times lengthen and you will consume more

energy. It may also damage your dryer.

The filter is found in front of the dryer trim (see diagram).



Removing the filter:  
1. Pull the plastic grip of the filter upwards (see diagram).



2. Clean the filter and replace it correctly. Ensure the filter is fully located flush into the tumble dryer trim.

Do not use the dryer without replacing the filter.

## Check the drum after each cycle

Turn the drum manually in order to remove small items (handkerchiefs) that could have been left behind.

## Cleaning the drum

Do not use abrasives, steel wool or stainless steel cleaning agents to clean the drum.

A color film may start to appear on the stainless steel drum, this may be caused by a combination of water and, or cleaning agents such as fabric conditioner from the wash. This colored film will not affect the dryer performance.

## Cleaning the dryer

- External parts in metal or plastic and rubber parts can be cleaned with a damp cloth.
- Periodically check the vent tube and any permanent venting fixture to make sure that there has been no accumulation of fluff or lint, and remove it.
- Remove lint that collects around the filter and the outlet vents.

Do not use solvents or abrasives.

Your dryer uses special bearing components which do not need lubrication.

Have your dryer checked regularly by authorized technicians to ensure electrical and mechanical safety.

# Troubleshooting


EN

Before you call our Customer Care Department, go through the following troubleshooting suggestions:

## Problem:

## Possible causes / Solution:

**⚠ WARNING**



**Electrical Shock Hazard**  
**Plug into a grounded 3 prong outlet.**  
**Do not remove ground prong.**  
**Do not use an adapter.**  
**Do not use an extension cord.**  
**Failure to follow these instructions can result in death, fire, or electrical shock.**

### The dryer won't start.

- The plug is not plugged into the socket, or not making contact.
- There has been a power outage.
- The fuse has blown.
- The door is not closed securely?
- The PROGRAMS knob has not been set properly (*see Start and Programs*).
- The START button has not been pressed (*see Start and Programs*).

### Its taking a long time to dry.

- The filter has not been cleaned (*see Maintenance*).
- The temperature setting is not ideal for the type of fabric you are drying (*see Start and Programs, and see Laundry*).
- Automatic / Sensor Dry programs require a HIGH temperature setting (*see Start and Programs*).
- The correct program has not been selected for this load (*see Start and Programs, and see Laundry*).
- The exhaust duct is obstructed (*see Installation*).
- The air intake vent is obstructed (*see Installation*).
- The permanent ventilation flap on the storm cover is obstructed (*see Installation*).
- The items were too wet (*see Laundry*).
- The dryer was overloaded (*see Laundry*).

**If you still have a problem call our Customer Care Department on: 1 800 356 0766**

## Spare Parts

This dryer is a complex machine. Repairing it yourself or having a non-authorized person try to repair it could cause harm to one or more persons and to the machine, and could invalidate the spare parts warranty.

**⚠ WARNING**

**Excessive Weight Hazard**

**Use two or more people to move and install dryer.**

**Failure to do so can result in back or other injury.**

Read these instructions with care.

These instructions are provided for use by qualified installers, in addition the installation must comply with:

- In the United States, in accordance with the National Electric Code ANSI/NFPA70 - latest edition and any State, Municipal or local codes.
- In Canada, in accordance with the Canadian Electric Code C22.1 - latest edition and any Provincial, Municipal or local codes.

## Where to put your dryer

**⚠ WARNING**

**Explosion Hazard**

**Keep flammable materials and vapors, such as gasoline, away from dryer.**

**Place dryer at least 18 inches (460 mm) above the floor for a garage installation.**

**Failure to do so can result in death, explosion, or fire.**

Check local codes before choosing a location. Some codes do not permit installation in a garage, closet, mobile home or bedroom.

**DO NOT** install the dryer in an area where gasoline or other inflammable materials are kept or stored.

When operating the dryer, there has to be adequate ventilation to avoid the back flow of gases into the room from appliances burning other fuels, including open fires.

Minimum installation clearances:

	Closet	Closet (alternative)	Under Counter
Sides	3/4" (15mm)	0	3/4" (15mm)
Top	1/2" (10mm)	4" (100mm)	1/2" (10mm)
Rear	3/4" (15mm)	3/4" (15mm)	3/4" (15mm)
Front	3/4" (15mm)	3/4" (15mm)	not applicable
Vent Opening distance from Top of closet	6" (150mm)	2" (50mm)	not applicable

If installed in a closet it must have the following dimensions and have two ventilation openings each having an area 72 sq.ins. (450 sq.cm) located 2" (50mm) or 6" (150mm) from top (see table) and 6" (150mm) from bottom of the door.

The dryer has adjustable height feet, use these to level the dryer after fitting into its final position.

## RV/Marine installations

When locating the appliance in a towable trailer or watercraft, position the machine over the axles or mid-ship where movement is at a minimum.

For RV or marine applications, please visit the Splendide website or call 1-800-356-0766 for the available installation kits.

## ACCESSORIES

Contact our Technical Assistance Service to check if accessories are available for this tumble dryer model. Technical Service: 1-800-356-0766.

# Installation

EN

## Exhaust ducting

### **⚠ WARNING**



#### **Fire Hazard**

**Use a heavy metal vent.**

**Do not use a plastic vent.**

**Do not use a metal foil vent.**

**Failure to follow these instructions can result in death or fire.**

The ducting system for the dryer must be as short and straight as possible and with as few elbows as possible. Four-inch (102 mm) rigid metal ducting should be used, metal flexible ducting can be used but the maximum length of ducting if used is 7ft (2.4m) and provided it complies with the following:

**Never** use plastic ducting. All elbows must also be a minimum of 4-inch (102mm) diameter. Joints must be secured with ducting tape. **Do not use** screws or other metal fastenings that extend into the duct, as lint can collect on the screws.

Maximum length of rigid duct:

Number of Elbows	Rigid Duct (only)
0	22 ft. (6.6m)
1	18 ft. (5.4m)
2	14 ft. (4.2m)
3	6 ft. (1.8m)

The above assumes that an approved venting hood is used and that the flap on this hood must **not** have magnetic catches.

Contact Westland for additional information.

### **IMPORTANT:**

- The appliance **MUST NOT** be exhausted into a chimney, a wall, a ceiling, an attic, a crawl space or a concealed space of a building.
- To reduce the risk of fire, this appliance **MUST BE EXHAUSTED OUTDOORS.**
- Do not discharge the exhaust air into a flue, which is used for exhausting fumes from other appliances burning gas or other fuel.

Depending on the frequency of use it is essential that the ducting is checked periodically and any fluff or debris removed.

### **GROUNDING INSTRUCTIONS**

- For a grounded, cord-connected dryer:

This dryer must be grounded. In the event of malfunction or breakdown, grounding will reduce the risk of electric shock by providing a path of least resistance for electric current. This dryer is equipped with a cord having an equipment-grounding conductor and a grounding plug. The plug must be plugged into an appropriate outlet that is properly installed and grounded in accordance with all local codes and ordinances.

**WARNING:** Improper connection of the equipment-grounding conductor can result in a risk of electric shock. Check with a qualified electrician or service representative or personnel if you are in doubt as to whether the dryer is properly grounded. Do not modify the plug provided with the dryer: if it will not fit the outlet, have a proper outlet installed by a qualified electrician.

**SAVE THESE INSTRUCTIONS**

## If you need assistance

Every Splendide washing machine comes with a Limited Warranty. Please read the Limited Warranty Statement that came with your machine for complete details.

You'll find many answers to common problems in the "Troubleshooting" section of this manual. If you review this section first, you may not need to call for service at all. *NOTE: You will be charged for a service call while the appliance is under warranty if the problems are not caused by defective workmanship or materials.*

- If you do need service, you can relax knowing that help is only a phone call away. Call our Splendide Technical Service/Assistance Department toll-free at 1-800-356-0766.
- Please have the model number and serial number of your clothes dryer ready when you call.



Splendide Technical Service  
15650 SE 102nd Ave  
Clackamas, Oregon 97015 - USA

**1-800-356-0766**

Local Phone: 503-655-2563  
[service@westlandsales.com](mailto:service@westlandsales.com)

EN

Warranty, see page 27.

F

Français

DV6400X

## Contenu

### Sécurité du sèche-linge, 15-16

### Consignes d'utilisation, 17

- L'avant
- L'arrière
- Le panneau de contrôle

### Démarrage et programmes, 18-19

- Choisir un programme
- Programmes

### Lessive, 20-21

- Trier votre lessive
- Laver les vêtements délicats
- Vêtements spéciaux
- Exemples de brassées à sécher

### Nettoyage et entretien, 22

- Quand couper l'électricité
- Nettoyer le filtre après chaque cycle
- Vérifier le tambour après chaque cycle
- Nettoyer la sècheuse

### Dépannage, 23

- Pièces de remplacement

### Installation, 24-25

- Où placer la sècheuse
- Installations dans des véhicules de plaisance/bateaux
- Accessoires
- Conduites d'échappement
- Instructions de liaison à la terre

### Service après-vente, 26

### Garantie, 27

# Splendide

## Votre sécurité et celle des autres est très importante.

Nous donnons de nombreux messages de sécurité importants dans ce manuel et sur votre appareil ménager. Assurez-vous de toujours lire tous les messages de sécurité et de vous y conformer.



Voici le symbole d'alerte de sécurité.

Ce symbole d'alerte de sécurité vous signale les dangers potentiels de décès et de blessures graves à vous et à d'autres.

Tous les messages de sécurité suivront le symbole d'alerte de sécurité et le mot "DANGER" ou "AVERTISSEMENT". Ces mots signifient :

 **DANGER**

Risque possible de décès ou de blessure grave si vous ne suivez pas immédiatement les instructions.

 **AVERTISSEMENT**

Risque possible de décès ou de blessure grave si vous ne suivez pas les instructions.

Tous les messages de sécurité vous diront quel est le danger potentiel et vous disent comment réduire le risque de blessure et ce qui peut se produire en cas de non-respect des instructions.



## **AVERTISSEMENT - "Risque d'incendie"**

- L'installation de la sècheuse à linge doit être effectuée par un installateur qualifié.
- Installer la sècheuse conformément aux instructions du fabricant et aux codes locaux.
- Ne pas installer de sècheuse à linge avec des matériaux d'évacuation en plastique souple ou un conduit métallique souple (de type papier d'aluminium). Si un conduit métallique souple est installé, celui-ci doit être d'un type spécifique identifié par le fabricant de l'appareil et convenir à une utilisation avec les sècheuses à linge. Les matériaux d'évacuation souples sont connus pour s'affaisser, être facilement écrasés et bloquer la charpie. Ces situations obstrueront le débit d'air de la sècheuse à linge et augmenteront le risque d'incendie.
- Pour réduire le risque de blessure grave ou de décès, suivre toutes les instructions d'installation.
- Conserver ces instructions.

Voir les consignes d'installation pour la mise à la terre.

### IMPORTANTES INSTRUCTIONS DE SÉCURITÉ

**AVERTISSEMENT :** Pour réduire le risque d'incendie, de choc électrique ou de blessure lors de l'utilisation de la sècheuse, il convient d'observer certaines précautions élémentaires dont les suivantes :

- Lire toutes les instructions avant d'utiliser la sècheuse.
- Ne pas placer des articles exposés aux huiles de cuisson dans votre sècheuse. Les articles contaminés par des huiles de cuisson peuvent contribuer à une réaction chimique qui pourrait causer à la charge de s'enflammer. Pour réduire le risque d'incendie dû à des charges contaminées, la partie finale du programme de séchage par culbutage a lieu sans chaleur (période de refroidissement). Éviter d'arrêter une sècheuse en phase de culbutage avant la fin du programme de séchage, à moins de retirer et d'étendre rapidement tous les articles afin que la chaleur se dissipe.
- Ne pas faire sécher dans la machine des articles qui ont déjà été nettoyés, lavés, imbibés, ou tachés d'essence, de solvants pour nettoyage à sec, d'autres substances inflammables, ou de substances explosives puisqu'elles dégagent des vapeurs qui peuvent provoquer un incendie ou une explosion.
- Ne pas permettre à des enfants de jouer sur ou à l'intérieur de la sècheuse. Une surveillance étroite est nécessaire lorsque la sècheuse est utilisée près d'eux.
- Avant d'enlever la sècheuse du service ou la jeter, enlever la porte du compartiment de séchage.
- Ne pas mettre la main dans la sècheuse si le tambour est en mouvement.
- Ne pas installer ni entreposer la sècheuse où elle sera exposée aux intempéries.
- Ne pas jouer avec les commandes.
- Ne pas réparer ni remplacer une pièce de la sècheuse ou essayer d'en faire l'entretien à moins d'une recommandation spécifique dans le guide d'utilisation et d'entretien, ou publiée dans les instructions de réparation par l'utilisateur que vous comprenez et pouvez exécuter avec compétence.
- Ne pas utiliser un produit assouplissant de tissu ou des produits pour éliminer la statique à moins qu'ils ne soient recommandés par le fabricant du produit assouplissant de tissu ou du produit.
- Ne pas utiliser la chaleur pour faire sécher des articles fabriqués avec du caoutchouc mousse ou des matériaux semblables.
- Nettoyer le filtre à charpie avant et après chaque charge.
- Ne pas laisser la charpie, la poussière, ou la saleté s'accumuler autour du système d'évacuation ou autour de l'appareil.
- Un nettoyage périodique de l'intérieur de la sècheuse et du conduit d'évacuation doit être effectué par une personne qualifiée.
- Pour les instructions de liaison à la terre, voir "Spécifications électriques" dans les instructions d'installation.

**CONSERVEZ CES INSTRUCTIONS**

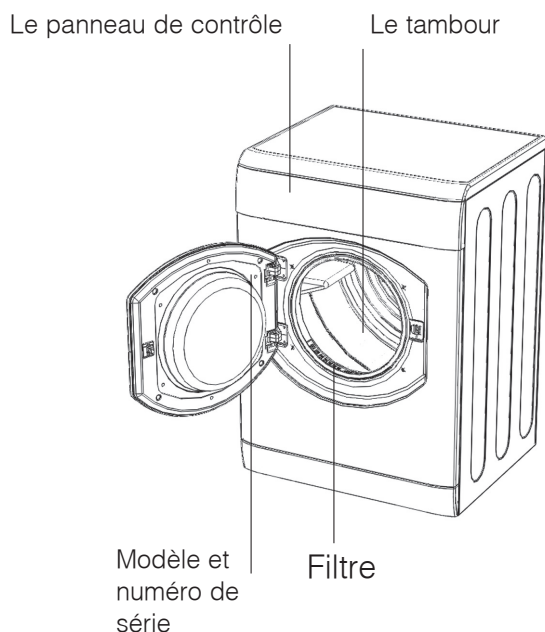
### IMPORTANTES INSTRUCTIONS DE SÉCURITÉ

Avant de jeter ou de ranger votre vieille sècheuse, enlever la porte.

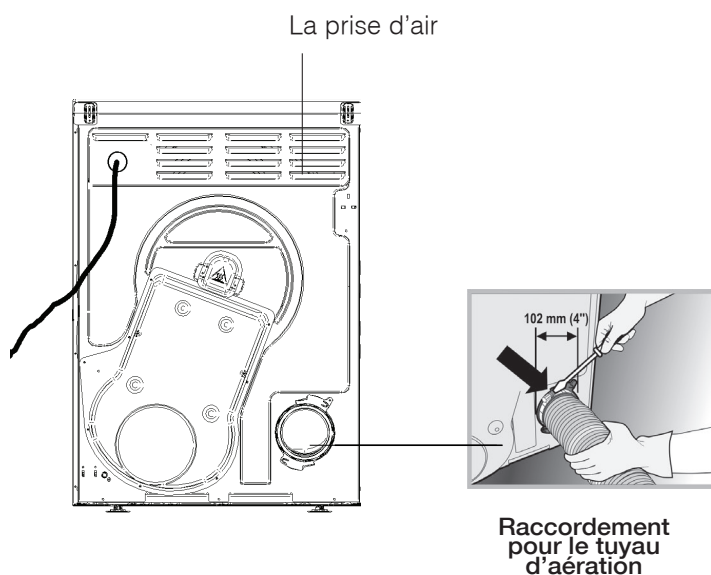
**CONSERVEZ CES INSTRUCTIONS**



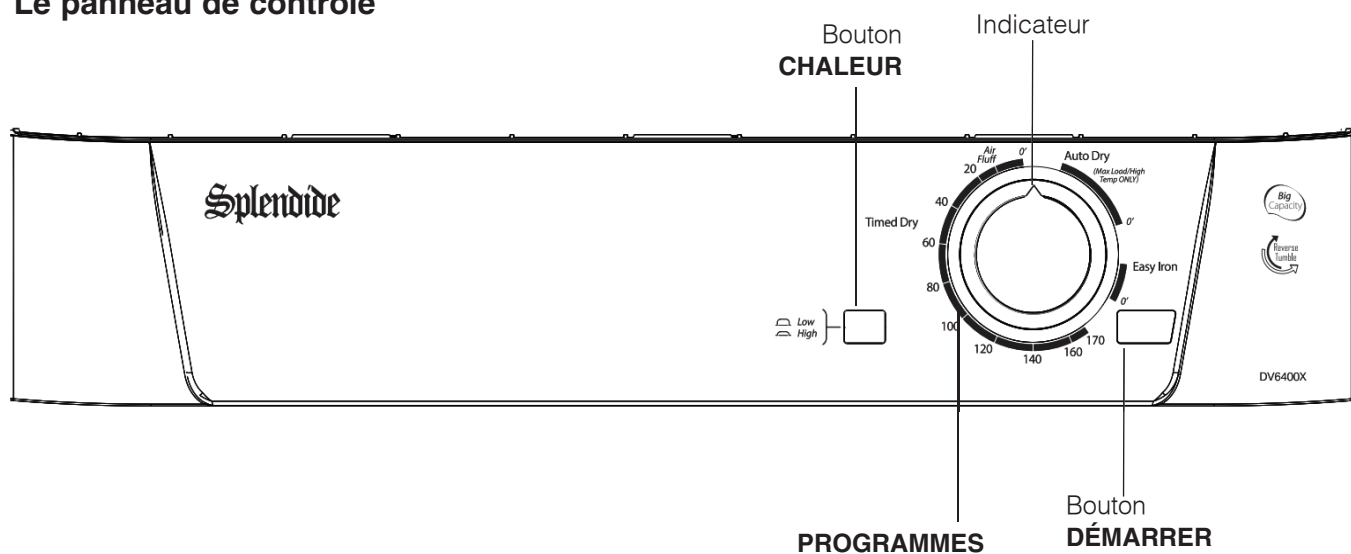
## L'avant



## L'arrière



## Le panneau de contrôle



Le bouton **DÉMARRER** (START) commence le séchage selon un Programme sélectionné (voir Démarrage et Programmes).

Le bouton **CHALEUR** sélectionne la température de séchage (voir Démarrage et Programmes).

Bouton RENTRÉ (IN) : Chaleur ÉLEVÉE (HIGH HEAT)

Bouton SORTI (OUT) : Chaleur BASSE (LOW HEAT)

Le *Guide de séchage* vous permet de consulter un tableau convivial des types de tissu et capacités de charge.

Le *Guide des Programmes spéciaux* vous fournit un guide des Programmes disponibles.

Le bouton **PROGRAMMES** règle le programme: tournez-le dans le sens des aiguilles d'une montre, **jamais dans le sens inverse**, jusqu'à ce que l'indicateur pointe vers le programme que vous désirez sélectionner (voir Démarrage et Programmes). Le bouton de programmes avancera jusqu'à la position "0" une fois le programme terminé.

# Démarrage et programmes

F

## Choisir un programme

### **AVERTISSEMENT**



#### **Risque de choc électrique**

**Brancher sur une prise à 3 alvéoles reliée à la terre.**

**Ne pas enlever la broche de liaison à la terre.**

**Ne pas utiliser un adaptateur.**

**Ne pas utiliser un câble de rallonge.**

**Le non-respect de ces instructions peut causer un décès, un incendie ou un choc électrique.**

1. Branchez la sècheuse dans une prise à 3 alvéoles reliée à la terre.
2. Triez votre lessive selon le type de tissus (*voir Lessive*).
3. Ouvrez la porte et assurez-vous que le filtre est en place et propre (*voir Entretien*).
4. Chargez l'appareil et assurez-vous que les articles n'empêchent pas le contact avec le joint d'étanchéité de la porte. Fermez la porte.
5. Choisissez le programme de séchage en consultant le tableau des programmes (*voir Programmes*) ainsi que les indications pour chacun des types de tissus (*voir Lessive*).
  - Réglez la température à l'aide du bouton CHALEUR (HEAT).
  - Sélectionnez un programme ou un temps de séchage en faisant tourner le bouton PROGRAMMES dans le sens des aiguilles d'une montre.
6. Appuyez sur le bouton DÉMARRER (START) pour démarrer l'appareil.  
Durant le programme de séchage, vous pouvez vérifier votre lessive et retirer les articles qui sont secs et poursuivre ensuite le séchage des autres articles. Après avoir refermé la porte, appuyez sur le bouton DÉMARRER (START) pour reprendre le séchage.
7. Environ 10 minutes avant que le programme ne soit complété, la sècheuse commence la phase finale AIR FLUFF (aération) (pour

refroidir les tissus), que vous devriez toujours laisser se compléter.

8. Ouvrez la porte, sortez votre lessive, nettoyez le filtre et remplacez-le (*voir Entretien*).
9. Débranchez la sècheuse.

## Programmes

F

Programme	Ce qu'il fait...	Comment le programmer...	Note:
<b>Séchage Minuté</b> Jusqu'à 170 minutes	Sèche les vêtements mouillés qui seront repassés, les fibres acryliques ou les petites brassées (moins de 1 kg / 2lbs).	1. Sélectionnez la chaleur requise en programmant, chaleur élevée (HIGH HEAT) ou chaleur basse (LOW HEAT) en appuyant sur le bouton CHALEUR. 2. Placez le bouton PROGRAMMES sur la durée désirée. 3. Appuyez sur le bouton DÉMARRER (START).	Consultez les temps de séchage recommandés (voir <i>Lessive</i> ).
<i>Soin des tissus</i> <b>Air Froid (Air Fluff)</b>	Les éléments chauffants s'éteignent et les vêtements sont refroidis.	C'est la phase finale de tous les programmes. Environ 10 minutes avant la fin, le bouton PROGRAMMES avance automatiquement à la phase aération (Air Fluff). Après cette étape, les vêtements sont prêts à être sortis.	Laissez toujours la sécheuse compléter cette phase.
<i>Soin des tissus</i> <b>Repassage Simplifié (Easy Iron)</b>	Programme court (environ 10 minutes) qui adoucit les fibres des vêtements prêts pour le repassage.	1. Sélectionnez chaleur élevée (HIGH HEAT) en appuyant sur le bouton CHALEUR. 2. Placez le bouton PROGRAMMES sur repassage simplifié 3. Appuyez sur le bouton DÉMARRER (START).	Important: Ce n'est pas un programme de séchage (voir <i>ci-dessous</i> ).
<i>Soin des tissus</i> <b>Séchage Automatique (Auto Dry)</b>	Cotons réguliers, Infroissables.	1. Sélectionnez chaleur élevée (HIGH HEAT) en appuyant sur le bouton CHALEUR. 2. Placez le bouton PROGRAMMES sur Séchage Automatique. 3. Appuyez sur le bouton DÉMARRER (START).	Important: Si vous sélectionnez chaleur basse (LOW HEAT), ce programme ne séchera pas vos vêtements. Pour les fibres d'acrylique ou les petites brassées sélectionnez Séchage minuté). Pour une utilisation avec une charge importante, Haute température uniquement.

### Programme Repassage Simplifié (Easy Iron) )

Easy Iron est un court programme de 10 minutes (8 minutes de chaleur suivi d'une période d'aération de 2 minutes) qui aère les fibres des vêtements qui ont été laissés dans la même position/emplacement pour une période étendue. Le cycle détend les fibres et les rend plus faciles à repasser et à plier.

Easy Iron n'est **pas un programme de séchage** et doit être utilisé pour des vêtements mouillés.

Pour de meilleurs résultats:

1. Ne dépassez pas la capacité maximale de chargement.

Ces chiffres correspondent à un poids sec:

Tissus	Charge maximale, de:
Coton régulier et mélange de coton régulier	2,5 kg / 5,5 lbs
Infroissable	2 kg / 4 lbs
Denim	2 kg / 4 lbs

2. Déchargez immédiatement la sécheuse à la fin du programme, suspendez, pliez ou repassez les articles avant de les ranger. Si ce n'est pas possible, répétez le programme.

L'effet Easy Iron varie d'un tissu à l'autre. Il fonctionne très bien sur des tissus traditionnels comme Cotons réguliers ou mélange de cotons réguliers et moins bien sur les fibres acryliques.

# Lessive

F

## ⚠ AVERTISSEMENT



### Risque d'incendie

**Aucune laveuse ne peut complètement enlever l'huile.**

**Ne pas faire sécher des articles qui ont été salis par tout genre d'huile (y compris les huiles de cuisson).**

**Ne pas sécher d'articles contenant de la mousse, du caoutchouc ou du plastique dans cette sècheuse.**

**Le non-respect de ces instructions peut causer un décès ou un incendie.**

### Trier votre lessive

- Vérifiez les symboles sur les étiquettes de vêtements pour vous assurez que vos articles peuvent être séchés à la machine.
- Triez votre lessive par type de tissus.
- Videz les poches et vérifiez les boutons.
- Fermez les fermetures éclair et les crochets et attachez les ceintures et cordons.
- Tordez chacun des articles afin d'éliminez le plus d'excédent d'eau possible.

Ne chargez pas la sècheuse de vêtements ruisselants d'eau.

### Laver les vêtements délicats

Examinez les étiquettes de vos vêtements, en particulier lorsqu'il s'agit d'un premier séchage à la machine. Les symboles suivants sont les plus communs:

- Peut être séché à la machine
- Ne **pas** sécher à la machine
- Séchez à la machine à chaleur élevée
- Séchez à la machine à chaleur basse

### Quoi ne pas sécher à la machine:

- Articles qui contiennent du caoutchouc ou des matériaux qui lui ressemblent ou encore des pellicules de plastique (oreillers, coussins ou imperméable en PVC), tout autre objet inflammable ou objet qui contient des substances inflammables (serviettes souillées de fixatif à cheveux).
- Fibres de verre (certains types de rideaux).
- Articles qui ont été nettoyés à sec.
- Articles comportant le code ITCL  (voir *Vêtements spéciaux*). Ces derniers peuvent être nettoyés à l'aide de produits de nettoyage à sec domestique. Suivez attentivement les instructions.
- Les articles volumineux (couettes, sacs de couchage, oreillers, coussins, grands couvre-lits, etc.). Ceux-ci prennent de l'expansion lorsqu'ils sèchent et peuvent entraver la circulation d'air dans la sècheuse.

## ⚠ AVERTISSEMENT



### Risque d'explosion

**Garder les matières et les vapeurs inflammables, telle que l'essence, loin de la sècheuse.**

**Nes pas faire sécher un article qui a déjà été touché par un produit inflammable (même après un lavage).**

**Le non-respect de ces instructions peut causer un décès, une explosion ou un incendie.**

### Grosueur de brassée maximale

Ne dépassez pas la capacité maximale de chargement. Ces chiffres correspondent à un poids sec:

Fibres naturelles: 6 kg max. (13 lbs)

Fibres synthétiques : 3 kg max. (6.6 lbs)

NE surchargez PAS la sècheuse, ce qui pourrait diminuer son rendement au séchage.

### Poids typiques

Vêtements			
Blouse	Coton	150 g	5 oz
	autre	100 g	3 oz
Robe	Coton	500 g	1 lb 2 oz
	autre	350 g	12 oz
Jeans		700 g	1 lb 6 oz
10 couches		1000 g	2 lb 3 oz
Chemise	Coton	300 g	10 oz
	autre	200 g	7 oz
Tee-shirt		125 g	4 oz
Articles de maison			
Dessus de couette (Double)	Coton	1500 g	3 lb 5 oz
	autre	1000 g	2 lb 3 oz
Grande nappe		700 g	1 lb 6 oz
Petite nappe		250 g	9 oz
Torchon		100 g	3 oz
Serviette de bain		700 g	1 lb 6 oz
Serviette à main		350 g	12 oz
Drap double		500 g	1 lb 2 oz
Drap simple		350 g	12 oz

À la fin d'un cycle de séchage, les cotons peuvent demeurer humides si vous groupez les articles en cotons et ceux en tissus infroissables. Si cela se produit poursuivez le séchage pendant une période de temps supplémentaire.

## Vêtements Spéciaux

**Couvertures et couvre-lits** : articles en acrylique (Acilan, Courtelle, Orion, Dralon) doivent **être séchés** avec une attention particulière au réglage à chaleur basse température (LOW). Évitez de sécher ces vêtements trop longtemps.

**Vêtements plissés ou froissés**: lisez les instructions du fabricant sur le vêtement.

**Articles amidonnés** : ne séchez pas ces articles avec d'autres vêtements non amidonnés. Assurez-vous d'avoir retiré le plus de solution d'amidon que possible de la brassée avant de placer cette dernière dans la sècheuse. Ne séchez pas à l'excès : l'amidon deviendra poudreux et laissera vos vêtements mou, ce qui va à l'encontre du but même de l'amidon.

## Exemples de brassées à sécher\*

### Exemple de brassée 1:

Ensemble de draps RV Cycle de lavage: Coton régulier robuste  
Temps de séchage: 70 à 90 minutes (ajouter 15 minutes pour les draps standards)  
1 drap plat (90 po x 102 po / contexture de 230 fils)  
1 drap-housse (60 po x 80 po)  
2 taies d'oreiller standard (21 po x 32 po)

### Exemple de brassée 2:

Cycle de lavage: Coton régulier robuste  
Temps de séchage: 90 à 120 minutes  
3 paires de jeans (35 po de taille / 32 po de couture d'entrejambes)  
2 débarbouilloirs (13 po x 13 po)  
1 paire de caleçon boxeur  
6 serviettes à main (16 po x 28 po)

### Exemple de brassée 3:

Cycle de lavage: Coton régulier robuste  
Temps de séchage: 120 à 140 minutes  
3 paires de jeans (35 po de taille / 32 po de couture d'entrejambes)  
1 grand chandail en molleton (50% coton / 50% polyester)  
2 taies d'oreiller (21 po x 32 po)  
2 débarbouilloirs (13 po x 13 po)  
5 serviettes à main (16 po x 28 po)

\*Les temps sont approximatifs et peuvent varier selon:

- La quantité d'eau retenue par les vêtements après le cycle d'essorage: les serviettes et les tissus délicats retiennent beaucoup d'eau.
- Tissus: les articles qui sont fait du même tissus mais qui comportent une texture et une épaisseur différente peuvent ne pas avoir le même temps de séchage.
- Taille de la lessive : les articles seuls ou les petites brassées peuvent être plus longues à sécher.
- Niveau de séchage: si vous vous apprêtez à repasser au fer certains de vos vêtements, ceux-ci peuvent être sortis de la sècheuse lorsqu'ils sont légèrement humides. D'autres peuvent être laissés plus longtemps si vous désirez qu'ils soient complètement secs.
- Réglage de la température.
- Température de la pièce: si la sècheuse est située dans un endroit frais, elle prendra plus de temps pour sécher vos vêtements.
- Articles volumineux : certains articles volumineux peuvent être séchés grâce à quelques soins. Nous vous suggérons de retirer ces articles plusieurs fois durant le séchage, de les secouer et de les replacer dans la sècheuse jusqu'à ce qu'ils aient complétés le cycle de séchage.

Ne séchez pas vos vêtements à l'excès. Tous les tissus contiennent une faible dose d'humidité naturelle qui les gardent doux et aérés.

REMARQUE : les certifications d'énergie gouvernementales pour les sèche-linge sont basées sur le cycle Séchage minuté / 170 minutes et un réglage à la température de séchage maximale. Les valeurs utilisées sont les valeurs par défaut à l'expédition de Auto, Haute température.

# Nettoyage et entretien

F

## Quand vous devez déconnecter l'électricité

Débranchez la sècheuse lorsque vous ne l'utilisez pas, lorsque vous la nettoyez et durant l'entretien.

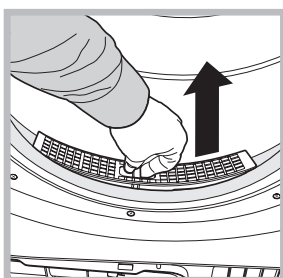
## Nettoyez le filtre après chaque cycle

Le filtre constitue une pièce importante de votre sècheuse: il accumule la peluche qui se forme lors du séchage. Les petits articles peuvent également se trouver emprisonnés dans le filtre.



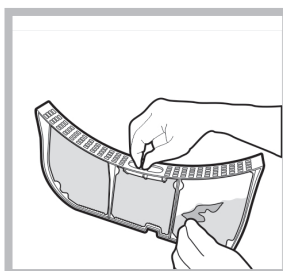
Donc, une fois le cycle de séchage complété, nettoyez le filtre en le rinçant sous l'eau du robinet ou à l'aide de votre aspirateur. Si le filtre venait à se boucher, le flux d'air à l'intérieur de la sècheuse s'en trouverait gravement affecté: le temps de séchage augmenterait et

l'appareil consommera plus d'énergie. Cela pourrait également endommager votre sècheuse.



Le filtre se trouve à l'avant de la garniture de la sècheuse (voir *diagramme*).

Retirer le filtre:  
1. Tirez sur la poignée de plastique du filtre (voir *diagramme*).



2. Nettoyez le filtre et remplacez-le correctement. Assurez-vous que le filtre est aligné et bien en place dans la garniture de la sècheuse.

N'utilisez pas la sècheuse sans avoir remplacé le filtre.

## Vérifiez le tambour après chaque cycle

Faites tourner le tambour manuellement de façon à retirer les petits articles (mouchoirs) qui pourraient avoir été oubliés.

## Nettoyage du tambour

N'utilisez pas d'abrasifs, de laines d'acier ou d'agents de nettoyage pour acier inoxydable pour nettoyer le tambour.

Une pellicule colorée peut apparaître sur le tambour en acier inoxydable, qui peut être causé par une combinaison d'eau et/ou d'agent de nettoyage comme un conditionneur à tissus provenant du lavage. Ce film coloré n'affectera pas le rendement de la sècheuse.

## Nettoyage de la sècheuse

- Les pièces externes de métal ou de plastique ainsi que les pièces de caoutchouc peuvent être nettoyées à l'aide d'un chiffon humide.
- Inspectez de façon périodique le tuyau d'aération et tout éléments de ventilation permanent afin de vous assurer qu'il n'existe aucune accumulation de peluche, et retirez-la si c'est le cas.
- Retirez la peluche qui s'accumule autour du filtre et des sorties d'air.

N'utilisez pas de solvants ou d'abrasifs.

Votre sècheuse utilise des composants de roulement qui n'ont pas besoin d'être lubrifiés.

Faites inspecter votre sècheuse régulièrement par des techniciens autorisés pour assurer que les aspects électrique et mécanique sont sécuritaires.




Avant de contacter notre service d'assistance à la clientèle, examinez les suggestions de dépannage suivantes

F

## Problème:

## Causes possibles / Solution:

**⚠ AVERTISSEMENT**



**Risque de choc électrique**

**Brancher sur une prise à 3 alvéoles reliée à la terre.**

**Ne pas enlever la broche de liaison à la terre.**

**Ne pas utiliser un adaptateur.**

**Ne pas utiliser un câble de rallonge.**

**Le non-respect de ces instructions peut causer un décès, un incendie ou un choc électrique.**

### La sècheuse ne démarre pas.

- La fiche n'est branchée dans la prise ou le contact ne se fait pas correctement.
- Il y a eu une panne d'électricité.
- Le fusible est grillé.
- La porte n'est pas fermée correctement?
- Le bouton PROGRAMMES n'a pas été correctement réglé (voir Démarrage et Programmes).
- Le bouton de DÉMARRER (START) n'a pas été enfoncé (voir Démarrage et Programmes).

### Il sèche très lentement.

- Le filtre n'a pas été nettoyé (voir Entretien).
- Le réglage de la température n'est pas idéal pour le type de tissus que vous séchez (voir Démarrage et Programmes, et Lessive).
- Les programmes de séchage automatique / par capteur (Automatic / Sensor Dry) requièrent un réglage de température élevé (HIGH) (voir Démarrage et Programmes).
- Le programme adéquat n'a pas été sélectionné pour cette brassée (voir Démarrage et Programmes, et Lessive).
- Le conduit d'échappement est obstrué (voir Installation).
- La prise d'air est obstruée (voir Installation).
- Le clapet d'aération permanent du capuchon anti-intempérie est obstrué (voir Installation).
- Les articles à sécher étaient trop humides (voir Lessive)
- La sècheuse était surchargée (voir Lessive).

**Si vos problèmes subsistent contactez notre service d'assistance à la clientèle au:  
1 800 356 0766**

## Pièces de remplacement

Cette sècheuse est une machine complexe. La réparer vous-même ou retenir les services d'une personne non autorisée à la réparer pourrait causer des tords à une ou à ces personnes ou encore à l'appareil, ce qui pourrait rendre invalide la garantie des pièces de remplacement.

# Installation

F

## **⚠ AVERTISSEMENT**

### **Risque du poids excessif**

**Utiliser deux ou plus de personnes pour déplacer et installer la sècheuse.**

**Le non-respect de cette instruction peut causer une blessure au dos ou d'autre blessure.**

Lisez avec soin ces instructions.

Ces instructions vous sont fournies pour être utilisées par un installateur qualifié, et cette installation doit être conforme à:

- Au États-Unis : le National Electric Code ANSI/NFPA70 – dernière édition de même qu'à tout code local, municipal ou d'état.
- Au Canada: le Canadian Electric Code C22.1 – dernière édition de même qu'à tout code local, municipal ou provincial.

## **Où placer la sècheuse**

### **⚠ AVERTISSEMENT**



#### **Risque d'explosion**

**Garder les matières et les vapeurs inflammables, telle que l'essence, loin de la sècheuse.**

**Nes pas faire sécher un article qui a déjà été touché par un produit inflammable (même après un lavage).**

**Le non-respect de ces instructions peut causer un décès, une explosion ou un incendie.**

Vérifiez les codes locaux avant de choisir un emplacement. Certains codes ne permettent pas l'installation dans un garage, un placard, une maison mobile ou une chambre. N'installez PAS la sècheuse dans une zone où vous gardez de l'essence ou tout autre matière inflammable. Lorsque vous utilisez la sècheuse, la ventilation doit être adéquate; attention à éviter le retour des gaz provenant d'appareils brûlant d'autres carburants, incluant les feux ouverts dans la pièce.

Dégagements d'installation minimum:

	Placard	Placard (alternatif)	Sous le comptoir
Côtés	3/4 po (15mm)	0	3/4 po (15mm)
Haut	1/2 po (10mm)	4 po (100mm)	1/2 po (10mm)
Arrière	3/4 po (15mm)	3/4 po (15mm)	3/4 po (15mm)
Avant	3/4 po (15mm)	3/4 po (15mm)	Sans objet
Orifice d'aération distance de Haut du placard	6 po (150mm)	2 po (50mm)	Sans objet

Si installée dans un placard, il doit avoir les dimensions suivantes et posséder deux ouvertures de ventilation de 72 po. ca. (450 cm. ca.) situées à 2 po (50mm) ou 6 po (150mm) du haut (voir tableau) et 6 po (150mm) du bas de la porte.

La sècheuse a des pieds de réglage ajustables, utilisez-les pour la mettre au niveau après l'avoir installée dans sa position finale.

## **Installations dans des véhicules de plaisance/bateaux**

Lorsque vous installez la machine dans une caravane ou un bateau, positionnez-la sur les essieux ou dans la partie centrale du bateau, pour une meilleure stabilité.

Pour les installations dans des véhicules de plaisance ou des bateaux, veuillez visiter le site Internet de Splendide ou appelez le 1 800 356 0766 pour obtenir les kits d'installation disponibles.

## **ACCESSOIRES**

Contactez notre service d'assistance technique pour vérifier si les accessoires sont disponibles pour votre modèle de sèche-linge. Service technique : 1 800 356 0766.



## Conduites d'échappement

**⚠ AVERTISSEMENT**

**Risque d'incendie**

**Utiliser un conduit d'évacuation en métal lourd.**

**Ne pas utiliser un conduit d'évacuation en plastique.**

**Ne pas utiliser un conduit d'évacuation en feuille de métal.**

**Le non-respect de ces instructions peut causer un décès ou un incendie.**

Le système de conduite d'échappement pour la sècheuse doit être aussi court et aussi droit que possible et il doit comporter le moins de coudes possible.

Des conduits métalliques rigides de quatre pouces (102 mm) devraient être utilisés, des conduits en métal flexible peuvent être utilisés mais le cas échéant, la longueur maximale du conduit doit être de 7 pi (2,4 m) et doit respecter les normes suivantes: N'utilisez **jamais** de conduits de plastique. Tous les coudes doivent également être d'un diamètre minimal de 102 mm (4 po). Les joints doivent être fixés avec du ruban de gaine. **N'utilisez pas** de vis ou d'autres attaches en métal qui se prolongent dans le conduit car la peluche peut se ramasser sur les vis.

Longueur maximale du conduit rigide:

Nombre de coudes	Conduit rigide (seulement)
0	22 pi. (6.6m)
1	18 pi. (5.4m)
2	14 pi. (4.2m)
3	6 pi. (1.8m)

Les mesures ci-dessus supposent qu'un capot d'aération est utilisé et que le rabat de ce capot ne doit pas présenter de loquet aimanté.

Contactez Westland pour obtenir des informations complémentaires.

### IMPORTANT:

- L'appareil NE DOIT PAS rejeter son air d'échappement dans une cheminée, un mur, un plafond, un entretoit, un vide sanitaire ou un espace confiné dans un bâtiment.
- Pour réduire les risques d'incendie, cet appareil DOIT REJETER SON AIR D'ÉCHAPPEMENT À L'EXTÉRIEUR.
- Ne rejetez pas l'air d'échappement dans un conduit de fumée utilisé pour recueillir les fumées d'autres appareils brûlant du gaz ou tout autre carburant.

Selon la fréquence d'utilisation, il est essentiel que le système de conduit soit vérifié périodiquement et que toute fibre ou tout débris soit éliminé.

### INSTRUCTIONS DE LIAISON À LA TERRE

- Pour une sècheuse reliée à la terre et connectée par un cordon :

Cette sècheuse doit être reliée à la terre. En cas de mauvais fonctionnement ou de panne, la liaison à la terre réduira le risque de choc électrique en offrant au courant électrique un acheminement d'évacuation de moindre résistance. Cette sècheuse est alimentée par un cordon électrique comportant un conducteur relié à la terre et une fiche de branchement munie d'une broche de liaison à la terre. La fiche doit être branchée sur une prise appropriée qui est bien installée et reliée à la terre conformément à tous les codes et règlements locaux.

**AVERTISSEMENT :** Le raccordement incorrect de cet appareil au conducteur de liaison à la terre peut susciter un risque de choc électrique. En cas de doute quant à la qualité de liaison à la terre de la sècheuse, consulter un électricien ou un technicien ou un personnel qualifié. Ne pas modifier la fiche de branchement fournie avec la sècheuse; si la fiche ne correspond pas à la configuration de la prise de courant, demander à un électricien qualifié d'installer une prise de courant appropriée.

**CONSERVEZ CES INSTRUCTIONS**

# Service après-vente

## F Si vous avez besoin d'aide

Chaque lave-linge est doté d'une garantie limitée. Veuillez lire attentivement la déclaration de garantie livrée avec votre machine pour obtenir des informations détaillées. Vous trouverez les réponses à de nombreuses questions dans la rubrique Dépannage de ce manuel. Si vous passez en revue cette rubrique avant toute chose, il est possible que vous ne deviez même pas faire appel à un technicien. REMARQUE : Vous devrez supporter des frais si pendant la période de garantie, le problème signalé n'est pas dû à un défaut de fabrication couvert par la présente garantie.

- Si une intervention est nécessaire, sachez que le technicien est joignable par téléphone. Appelez l'assistance technique de Splendide au numéro d'appel gratuit 1-800-356-0766.
- Lorsque vous appelez, ayez sous la main le numéro de modèle et de série de votre sèche-linge.

Garantie, voir page 27.

# Splendide

Service après-vente Splendide  
15650 SE 102nd Ave  
Clackamas, Oregon 97015 - USA

## 1-800-356-0766

Numéro d'appel local : 503-655-2563  
[service@westlandsales.com](mailto:service@westlandsales.com)



## ONE-YEAR LIMITED WARRANTY (USA & CANADA ONLY)

### WHO IS COVERED BY THIS WARRANTY

This limited one-year warranty ("Warranty") is given only to the original end-use/retail purchaser (the "First Using Purchaser") of the accompanying Splendide product(s) (the "Splendide Product").

If you purchased this Splendide Product from someone other than an authorized Splendide reseller/dealer in the United States or Canada, or if the Splendide Product was used (including but not limited to floor models or refurbished products) prior to your purchase, then you are not the First Using Purchaser and the Splendide Product that you purchased is not covered by this Warranty. This Warranty is not transferable.

### WHAT IS COVERED BY THIS WARRANTY

Splendide will repair or replace any part of the Splendide Product which fails due to a defect in materials or workmanship when used under normal home-use conditions.

This Warranty applies only to Splendide Products purchased and used in the United States or Canada. Subject to the exclusions below, for Splendide Products purchased in, but used outside, the United States or Canada, this Warranty covers only warranty service within the United States or Canada (and does not include shipping outside the United States or Canada).

### LENGTH OF THE WARRANTY

This Warranty runs for a period of one (1) year from the date of the original purchase by the First Using Purchaser. Please note that a copy of your original purchase receipt showing the purchase date and the vendor's name and address are required to obtain service under this Warranty. For the purposes of determining the applicable warranty period, please note that any and all replaced or repaired parts shall assume the identity of the original.

**WHAT IS NOT COVERED BY THE WARRANTY (EXCLUSIONS)** This Warranty does not cover:

1. Improper installation, delivery, maintenance and/or improper operation of the Splendide Product.
2. Damage caused if the Splendide Product has not been used in compliance with the electricity or gas supply specifications printed on the rating plate.

3. Failure of or damage to the Splendide Product if it is altered, abused, misused, or used for other than the intended purpose, or if it is used commercially.

4. Service trips to your home to provide instructions on the use of your Splendide Product.

5. This warranty excludes door gaskets, plastic, fuses, water valves, removal from inaccessible location, maintenance cleaning, water damage of any kind, loss of use of vehicle, time inconvenience, gasoline expense, telephone, travel, lodging, loss or damage to personal property or revenues. This warranty does not cover any installation method that results in excessive movement of product after installation resulting in premature failure.

6. Damage caused by neglect, accident, fire, floods or acts of God.
7. Physical Damage to the appearance of your Splendide Product including, without limitation, scratches, rust, dents, warping, peeling and the like.

8. Damage caused by transportation.

9. Replacement of any consumable or degradable item or accessory including, but not limited to: plugs, cables, batteries, light bulbs, fluorescent tubes and starters, covers and filters, or replacement of any removable parts made of glass or plastic.

10. Damage caused after delivery.

11. Water damage of any kind.

12. A Splendide Product not accessible to provide required service.

13. Problems arising from other than defects in materials or workmanship.

14. Travel time when installed in a recreational vehicle or marine application.

This Warranty is void if the Splendide Product is altered, serviced, maintained, dismantled, or otherwise interfered with by any person who is not authorized by Splendide.

15. Labor when installed in a marine application.

**TO THE EXTENT PERMITTED BY LAW, THIS WARRANTY IS IN LIEU OF ALL OTHER WARRANTIES, WRITTEN OR ORAL, WHETHER EXPRESSED OR IMPLIED, PROMISE, DESCRIPTION, DRAWING, MODEL OR SAMPLE. ANY AND ALL WARRANTIES OTHER THAN THIS ONE, WHETHER EXPRESS OR IMPLIED, INCLUDING IMPLIED WARRANTIES OF MERCHANTABILITY AND FITNESS FOR A PARTICULAR PURPOSE, ARE HEREBY DISCLAIMED. IMPLIED WARRANTIES INCLUDING, BUT NOT LIMITED TO, THE IMPLIED WARRANTIES OF MERCHANTABILITY AND FITNESS THAT CANNOT BE EXCLUDED BY LAW, SHALL BE LIMITED TO THE SAME DURATION AS THIS WARRANTY. EXCEPT FOR**

**THAT REPAIR OR REPLACEMENT AS DESCRIBED ABOVE, SPLENDIDE SHALL NOT BE LIABLE FOR ANY DIRECT, INDIRECT, INCIDENTAL OR CONSEQUENTIAL DAMAGES OR SPECIFIC RELIEF.**

Some States and Provinces do not allow the exclusion or limitation of incidental or consequential damages and/or implied warranties, so the above limitations or exclusions may not apply to you. This Warranty gives you specific legal rights and you may also have other legal rights which vary from State to State or Province to Province.

### WHAT YOU SHOULD DO TO OBTAIN WARRANTY SERVICE

All repairs or warranty service must be provided by Splendide/Westland Sales or an Authorized Splendide Service Center. All service questions can be answered by contacting Westland Sales. CONTACT WESTLAND SALES before any service company is brought in. With prior authorization from Westland sales, any qualified appliance service company may work on this appliance.

### WESTLAND SALES

15650 SE 102nd Avenue - Clackamas, OR 97015  
1-800-356-0766 (LOCAL-503-655-2563)

[www.westlandsales.com](http://www.westlandsales.com)  
[service@westlandsales.com](mailto:service@westlandsales.com)

Please remember to provide us with your Splendide Product's model number and serial number.

Please note that a copy of your original purchase receipt showing the purchase date and the vendor's name and address are required to obtain service under this Warranty. If the Splendide Product is located in an area where service by an Authorized Splendide Service Center is not available, you may be responsible for a trip charge or you may be required to bring the Splendide Product to an Authorized Splendide Service Center for service.

The foregoing are your sole (i.e., only) and exclusive remedies under this Warranty. This Warranty is the only warranty that Splendide is giving for this Splendide Product. This Warranty replaces all other agreements and understandings that you may have with Splendide or its representatives.



19516146700  
06/2020

---