

For added assurance against the possibility of water damage which could occur with any water using appliance, the Drain-a-way™ pan has been designed exclusively for your Splendide or ARISTON washer.

Step 1: Place Pan on solid level surface and align to opening. You may wish to mark the front edge to assure that the pan does not move during installation. You may trim the pan depth for shorter models. Assure the drain fitting center is open. Using the threaded fitting in the pan, install your drain routed to the outside of to a suitable drain.*

Step 2: Attach pan to floor with screws provided. The locations of these screws should not interfere with the washer feet when installing it into the pan (see right). When finished, place your washer near the pan, then slide it into the pan.

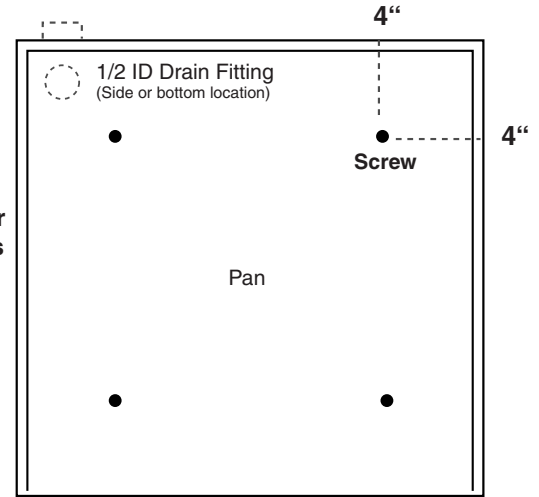
Step 3: Affix the strip of Butyl Tape (provided) to the underneath and outside-surfaces of the Dam, then place the Dam inside the pan as shown (see lower-right).

Step 4: To secure the Dam to the pan, start from the center and with screws, work towards the sides to assure proper compression of the Butyl tape between the Dam and Pan.

*NOTE: Drain fitting accepts a 1/2 ID threaded fitting. To use, assure the fitting is open to drain. Install a threaded fitting with drain routed to the outside or to a suitable drain.

SPLENDIDE DIV. WESTLAND SALES Clackamas, OR
Phone: 503-655-2563 (800-356-0766) / www.splendide.com

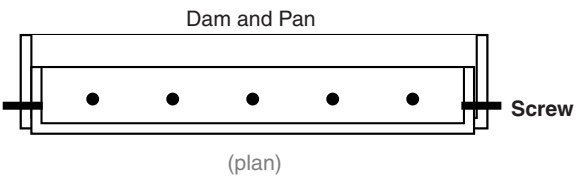
Attach Pan to floor
with 4 screws



Affix the Butyl Tape
to outside of Dam



Secure Dam to Pan
with 7 screws



For added assurance against the possibility of water damage which could occur with any water using appliance, the Drain-a-way™ pan has been designed exclusively for your Splendide or ARISTON washer.

Step 1: Place Pan on solid level surface and align to opening. You may wish to mark the front edge to assure that the pan does not move during installation. You may trim the pan depth for shorter models. Assure the drain fitting center is open. Using the threaded fitting in the pan, install your drain routed to the outside of to a suitable drain.*

Step 2: Attach pan to floor with screws provided. The locations of these screws should not interfere with the washer feet when installing it into the pan (see right). When finished, place your washer near the pan, then slide it into the pan.

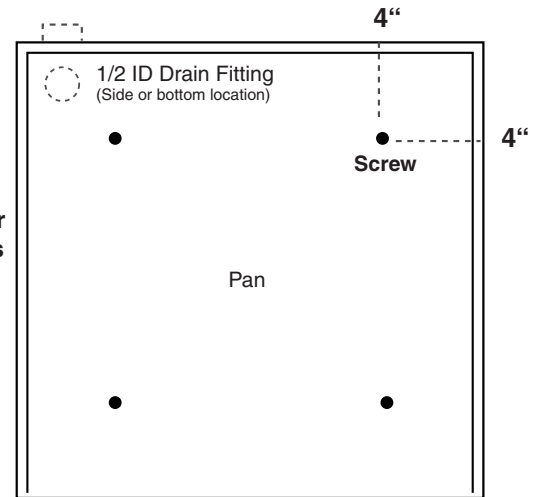
Step 3: Affix the strip of Butyl Tape (provided) to the underneath and outside-surfaces of the Dam, then place the Dam inside the pan as shown (see lower-right).

Step 4: To secure the Dam to the pan, start from the center and with screws, work towards the sides to assure proper compression of the Butyl tape between the Dam and Pan.

*NOTE: Drain fitting accepts a 1/2 ID threaded fitting. To use, assure the fitting is open to drain. Install a threaded fitting with drain routed to the outside or to a suitable drain.

SPLENDIDE DIV. WESTLAND SALES Clackamas, OR
Phone: 503-655-2563 (800-356-0766) / www.splendide.com

Attach Pan to floor
with 4 screws



Affix the Butyl Tape
to outside of Dam



Secure Dam to Pan
with 7 screws

