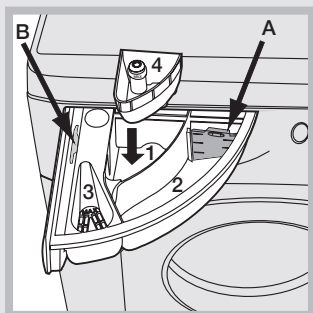


Using your new Splendide washer is easy!

WFL1300XD

Laundry Aid Dispenser



Chamber 1:

Prewash detergent* (powder ONLY)

Chamber 2:

Powder or liquid HE detergent* (Move plastic partition to **slot A** when using liquid or store in **slot B** when using powder.)

Chamber 3:

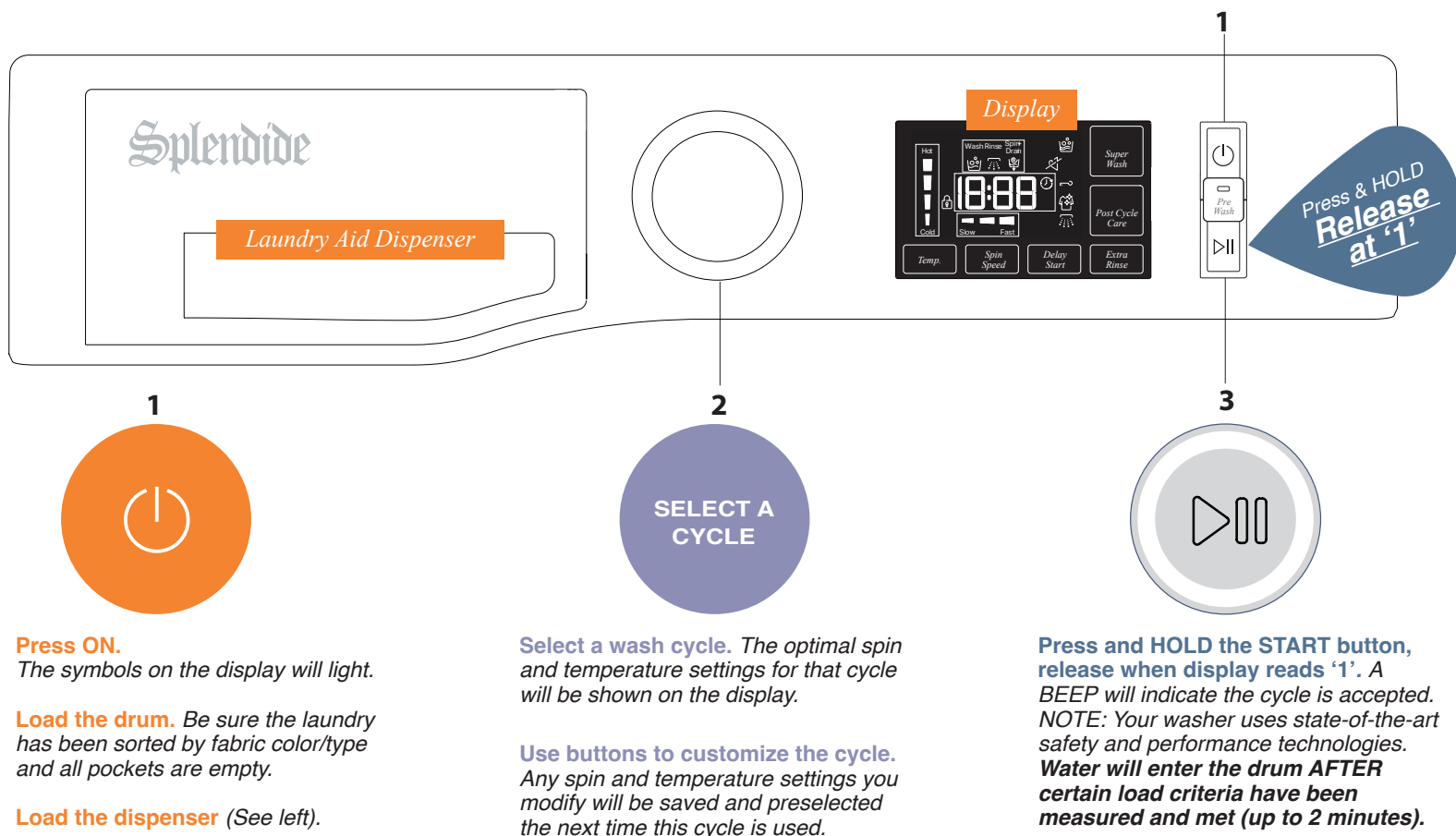
1-2 Tbsp. fabric softener

Extra Chamber 4:

Bleach

IMPORTANT!

*Use only High Efficiency (HE) detergent in the correct dosage for your machine (1-2 TBSP of powder detergent (or liquid equiv.) per load.



Press ON.
The symbols on the display will light.


Load the drum. Be sure the laundry has been sorted by fabric color/type and all pockets are empty.

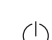
Load the dispenser (See left).

Select a wash cycle. The optimal spin and temperature settings for that cycle will be shown on the display.

Use buttons to customize the cycle. Any spin and temperature settings you modify will be saved and preselected the next time this cycle is used.

Press and HOLD the START button, release when display reads '1'. A BEEP will indicate the cycle is accepted. **NOTE:** Your washer uses state-of-the-art safety and performance technologies. **Water will enter the drum AFTER certain load criteria have been measured and met (up to 2 minutes).**

 **To pause the cycle** tap the **START/PAUSE** button once. To unpause, press and hold 2 seconds, then release.

 **To cancel the cycle** Press and hold the **ON/OFF** button. The cycle will stop, any water will drain, and the machine will shut off.

SEE BACK PAGE FOR 'CLEAN WASHER' AND 'WINTERIZATION' INSTRUCTIONS >>>

*Unbalanced loads may increase wash cycle times. With two minutes remaining in the cycle: the display timer will pause and the drum will make multiple attempts to balance the load. The timer will not resume until the final spin can be reached.

RV/MARINE WINTERIZATION

RV/Marine Winterization Instructions

If you're currently pumping antifreeze through your fresh water system, you can follow these steps to winterize your washing machine:

1. With machine power **OFF**, advance **cycle selector knob** to '**Lightly Soiled**';
2. Press the **Power** button once.
3. Use the Temp button to select '**HOT**'.
4. **Crack the Dispenser Drawer open** enough to confirm when antifreeze enters the drawer (approx. 1");
5. Press and hold the **START button for 2 seconds, then release**. The machine will enter a short fill, then pause. Next, it will enter a longer fill, then pause again. At this point, if you've seen antifreeze enter the Dispenser, move on to Step 6. If not, press and HOLD the **Power** button once to turn power **OFF**, then repeat Steps 2 through 5;
6. **During the pause after the SECOND fill**, press and hold the **Power** button to turn power **OFF**. The machine will automatically drain the antifreeze from the drum and then turn **OFF. FINISHED.**


To Winterize Your Washer

To Use Your Washer Again,

1. With washing machine power **OFF**, pour bleach into both **compartment '3'** AND the **extra bleach compartment '4'** of the Dispenser Drawer, filling both to their respective max. fill levels. Do not use thickened or splashless bleach as excess suds may occur;
2. Advance the cycle selector knob to the Clean Washer cycle;
3. Press the **Power** button, then press and hold the **START button for 2 seconds, then release**;
4. Allow machine to run through the complete cycle to clean out any remaining antifreeze. **FINISHED.**

To De-Winterize Your Washer

Clean Washer Cycle

- Prior to using your washer for the first time, we recommend running an EMPTY  '**Clean Washer**' cycle.
- **Use ONLY regular liquid chlorine bleach** (not splashless, because it contains detergent). Fill both chambers '3' and '4' to max. levels.
- **IMPORTANT: NEVER USE DETERGENT IN THIS CYCLE. USING DETERGENT IN THE CLEAN WASHER CYCLE WILL DAMAGE YOUR MACHINE!!!**

Splendide
Laundry Centers

www.splendide.com

You'll reduce your carbon footprint and get outstanding results in your Splendide, when you use our specially formulated, all-natural HE laundry powder (Splendide Premium Laundry Powder, #1005). Available direct from Splendide at 1-800-356-0766.