

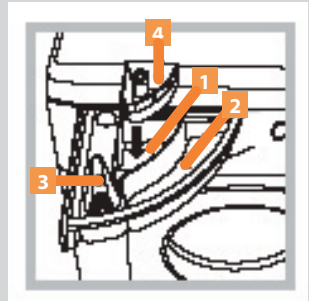
Before setting the washer controls, make sure...

- the drum is loaded correctly (see 'Load Sizes' on this page) and the door is CLOSED,
- laundry aids have been added to the dispenser drawer (see 'Laundry Aids' on this page),
- the ON/OFF button has been pressed in, so power is ON,
- and the DOOR LOCK LED is FLASHING SLOWLY - if it isn't press and HOLD the Start button to RESET controls.

AW125 Washer and AS66VX Dryer (Multifamily)

LAUNDRY AIDS

Slide open the dispenser drawer and add laundry aids to the correct compartments. When finished, close the drawer.

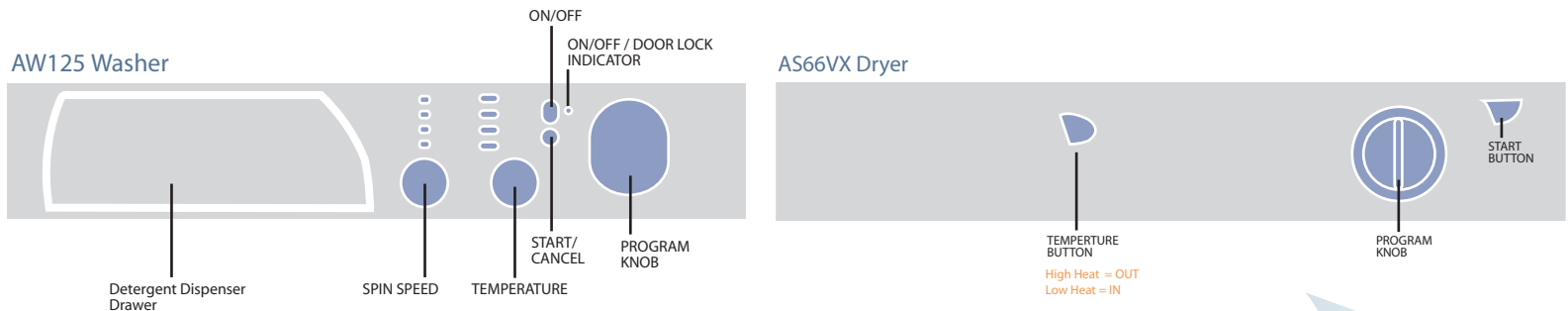


1. Detergent* for prewash.
2. Detergent* for the wash cycle (1-2 Tbsp)
3. Fabric Softener (1-2 Tbsp)
4. Bleach (fill to Max. Line)

IMPORTANT

NEVER EXCEED THE RECOMMENDED AMOUNTS SHOWN ABOVE.

*AMOUNTS ABOVE ARE FOR POWDER DETERGENT ONLY. IF USING LIQUID DETERGENT, USE NO MORE THAN 1/4 TO 1/2 TBSP PER LOAD.



WASH

DRY

Select a wash cycle using the Program knob.

- **TIP** Refer to the Cycle Key printed on the dispenser drawer to help choose a cycle. Pick a cycle that best describes both the type of fabric (Cotton, Permanent Press, or Wool) and degree of soil for the load.
- **TIP** Select Wool Dry ONLY when drying 100% wool fabrics.

Select a wash temperature and spin speed using the Temperature and Spin Speed knobs, then press START.

- **TIP** The door lock will engage once the cycle begins. The 'Status LED's' will let you know the progress of your cycle.
- **TIP** For faster drying, make sure the Spin Speed knob is set to the maximum spin.
- **TIP** To further customize the cycle, press one or more of the option buttons.
- **TIP** Rinse temperatures are ALWAYS COLD.
- **TIP** Not all options or combinations of options available in all cycles.

After loading the dryer drum, select the length of drying time by rotating the Program knob clockwise.

- **TIP** For faster drying, make sure the Temperature button is in the OUT position.
- **TIP** For the Auto cycle to work, the Temperature button must be in the High Heat, OUT position.

Press the START button.

- **TIP** Always clean the lint filter before starting a new dry load.

IMPORTANT

THE WASHER DOOR WILL STAY LOCKED FOR THE DURATION OF THE WASH CYCLE. TO OPEN THE DOOR DURING A CYCLE, SEE 'CANCEL A CYCLE' INSTRUCTIONS ON NEXT PAGE.

IMPORTANT ALWAYS USE A HIGH EFFICIENCY (HE) DETERGENT. FAILURE TO DO SO COULD RESULT IN REDUCED WASHING AND DRYING PERFORMANCE AND DAMAGE TO YOUR APPLIANCE.

You'll reduce your carbon footprint and get outstanding results in your Splendide, when you use our specially formulated, all-natural HE laundry powder (Splendide Premium Laundry Powder, #1005). Available direct from Splendide at 1-800-356-0766.

WASH CYCLES			Time (Minutes)	Max Load	High Spin	DRY CYCLES	
COTTON HEAVY DUTY	1	Heavy	80	12 lbs.	1200 rpm	Timed Drying	Up to 170 minutes. Dries wet clothes.
	2	Regular	72				
	3	Light	55				
	4	Bleach	85				
PERMANENT PRESS	6	Heavy	65	6 lbs.	800 rpm	Air Fluff	The final 10 minutes of the cycle. The clothes are cooled down.
	7	Regular	59				
	8	Light	53				
	9	Delicates	60				
GENTLE	11	Silk	39	4 lbs.	NO SPIN	Easy Iron	This is NOT a drying program . It is a 10 minute program that prepares clothes for ironing.
	12	Wool	52	2.5 lbs.	600 rpm		
	13	Daily	30	4 lbs.	800 rpm		

MORE TIPS

- **Always use fabric softener.** Using softener assures that the laundry falls easily from the drum after high spin and tumbles freely during the dry cycle.
- **ONLY** use 'Cotton Heavy Duty' cycles for **HEAVY** cottons (towels, jeans, etc.)
- For items that may wrinkle, use 'LOW SPIN' in wash and/or 'LOW HEAT' with 'Synthetics Dry.'
- For mixed loads, remove items that may wrinkle while still damp (dress shirts, etc.) Hand press and hang them. Then, continue drying the rest of the load (underwear, towels, etc.)
- After washing, shake out **LARGE ITEMS** (pants, sheets, etc.) Loosely fold them and place them in the dryer drum. Then start a Dry cycle. This will improve drying times and reduce fabric wrinkling.

FOR BEST DRYING

Your washer-dryer operates on 110V and has a 1300W dryer. It will take longer to dry than a traditional dryer (which operates on 220V). For best drying results, follow these tips:

- Keep the **door closed** during the dry cycle. This conserves energy by trapping heat,
- Use a **LOW SUDSING (HE)** detergent in wash,
- Make sure the **Temperature button is in the OUT** position,
- **DO NOT OVERLOAD** the drum,
- **DO NOT OVER DRY** your laundry. Moisture is what makes fabrics soft and fluffy.

Why is a stackable washer/dryer installed in my apartment?

Your apartment managers wanted to enhance your lifestyle by offering in unit laundry. However, because of limitations to space, or energy, a full-size washer and dryer couldn't be used. With Splendide, they've provided you the option to wash and dry laundry in the privacy of your own apartment.

Is doing laundry different in a Stackable washer/dryer?

Yes, load sizes are smaller, but a Splendide washer/dryer is designed to care for your laundry and to deliver outstanding wash results. To make the most of your Splendide don't let laundry pile up. Keep up with laundry by doing a load every day or two. Make it part of your routine to throw a load in after your workout or before you go to bed and let Splendide do the rest!

Why does it take longer?

Because Splendide washers are front-loading and Splendide dryers operate on 110V instead of 220V, cycle times are longer, it takes 30 to 80 minutes to wash depending on the cycle selected. Average: 70 to 110 minutes to dry.

Where's the load size selector?

Splendide washer-dryers have a built-in Automatic Consumption Control feature. It automatically adjusts the water used for the size and fabric type of your load. No guesswork, perfect every time.

Why can't I see the water inside the washer drum?

Splendide washers are extremely efficient and use very little water. You may not be able to see water during the wash cycle. **This is NORMAL.**

What if my wash cycle times are longer than those stated in the cycle chart?

Wash cycle times are estimates and will vary slightly according to load size, fabric type and available incoming water pressure.



CANCEL A WASH CYCLE / RESET THE WASHER

Press and **HOLD** the **START** button to cancel the cycle and clear/reset the washer controls.

Splendide
Laundry Centers

www.splendide.com