

NA**English, 1****SP**

Español, 25

F

Français, 49

Contents

NA

Description, 2

Important Safety Instructions, 3-4

Your safety and that of your family
Warnings about installation
Technical details

Unpacking, Installation, 5-6-7-8-9

Unpacking and levelling
Remove the shipping bolts
Water and Electric connections
Final Installation Checklist

Washing Machine Description and Option Modifiers, 10-11

Control panel
Washing Options
Variable spin
Variable temperature

Programs, 12

Program table

Detergent Dispenser and Tips, 13

Detergent dispenser
Before washing
Bleach cycle
Cashmere Platinum

Starting a Wash Program and Washcare Tips, 14-15-16-17-18

Laundry preparation
Pretreating
Washcare tips and understanding fabriccare labels (symbols)
Operating the washing machine
Starting a program
Typical wash loads
Stain removal chart

Care and Maintenance, 19

Cutting off the water or electricity supply
Cleaning the appliance
Cleaning the detergent dispenser drawer
Cleaning the door bowl and drum
Cleaning the pump
Checking the water inlet hose

Troubleshooting, 20-21

Service, 22

Before calling for Assistance

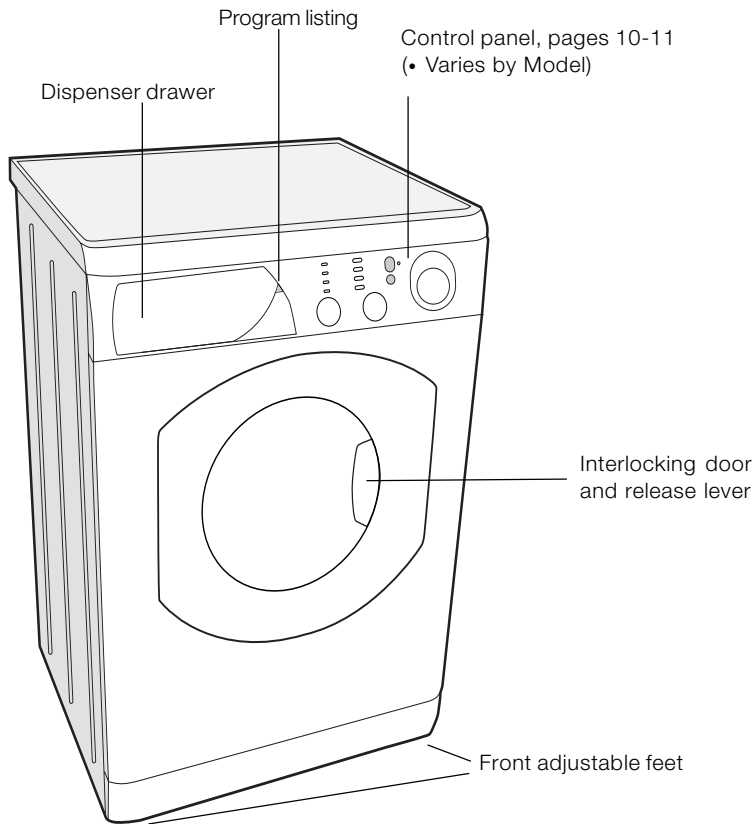
Warranties, 23

Ariston Statement of Warranties

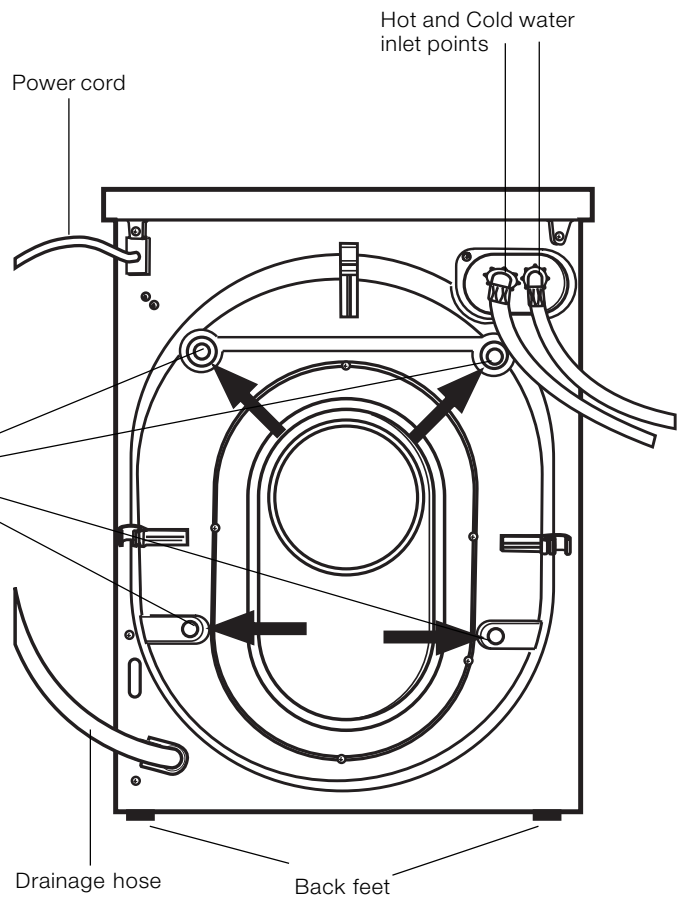
AW 125

Description

NA



• Please record the Model number and Serial number of your machine located behind the door for future reference.



Four shipping bolts !
They must be removed **BEFORE** you use your machine (see page 6)

! The machine was designed and built in compliance with the appliance international safety regulations.

The following information is provided for your safety and should consequently be read carefully.

Important Safety Instructions



NA

INTRODUCTION

Congratulations on your new Ariston washing machine. This is a highly sophisticated engineered product that will give you many years of satisfaction. Please spend a few moments reading the Owner Manual. This will show you ways to best utilize your valuable purchase

Save these instructions

Your washing machine has been built in compliance with the strictest international safety regulations, to protect you and all your family.



WARNING

To reduce the risk of fire, electrical shock, or injury to persons when using your appliance, follow basic precautions, including the following:

1. Read all instructions before using the appliance.
2. Install and level the clothes washer on a floor that can support the weight.
3. This appliance must be properly grounded. Never plug the appliance cord into a receptacle which is not grounded adequately and in accordance with local and national codes. See installation instructions for grounding this appliance.
4. **To avoid the possibility of fire or explosion:**
 - Do not wash articles that have been previously cleaned in, washed in, soaked in, or spotted with gasoline, dry cleaning solvents, other flammable, or explosive substances as they give off vapors that could ignite or explode.
 - Do not add gasoline, dry cleaning solvents, or other flammable or explosive substances to the wash water. These substances give off vapors that could ignite or explode.
 - Under certain conditions hydrogen gas may be produced in a hot water system that has not been used for 2 weeks or more. **HYDROGEN GAS IS EXPLOSIVE.** If the hot water system has not been used for such a period, before using a washing machine, turn on all hot water faucets and let the water flow from each for several minutes. This will release any accumulated hydrogen gas. As the gas is flammable do not smoke or use an open flame during this time.
 - To reduce the risk of fire, clothes, cleaning rags, mop heads and the like which have traces of any flammable substances, such as vegetable oil, petroleum based oils or distillates, waxes, fats, etc. must not be placed in the washing machine. These items may contain some flammable substances after laundering, which may smoke or catch fire by itself.
5. Always be sure to unplug the washing machine from the electrical supply before attempting any service.
6. Do not insert/pull out the mains plug with wet hands.
7. Do not pull out the mains plug by tugging the cable.

To reduce the risk of fire or electrical shock, DO NOT use an extension cord or an adapter to connect the washing machine to the electrical power supply.
8. Caution when draining hot water.
9. The washing machine must only be used for its intended purpose.
10. Make sure that all water connections to the washing machine have shut-off valve(s) and that they are readily accessible. Close the washing machine shut-off valve(s) at the end of each wash day.

Check the fill hose connections on a regular basis to assure that they are tight and not leaking.
11. Do not allow children to play on or in the appliance. Close supervision of children is necessary when the appliance is used near children.
12. Before the appliance is removed from service or discarded, remove the door.
13. Do not reach into the appliance if the tub or drum is moving.
14. Do not install or store this appliance where it will be exposed to the weather.
15. Do not tamper with controls.
16. Do not repair or replace any part of the appliance or attempt any servicing unless specifically recommended in the user-maintenance instructions or in published user-repair instructions that you understand and have the skills to carry out.
17. Do not use fabric softeners or products to reduce static unless recommended by the manufacturers of the fabric softener product.
18. Do not machine wash fiberglass materials. Small particles can stick to fabrics washed in following loads and cause skin irritation.
19. Inlet hoses are subject to damage and deterioration over time. Check the hoses periodically for bulges, kinks, cuts, wear or leaks and replace them every five years.

Technical details	
Model	AW 125
Dimensions	23.4" (59.5 cm) wide 33.4" (85 cm) high 20.8" (53 cm) deep
Capacity	from 2 to 12 Lbs (5 Kg)
Electric connections	voltage 120 Volts 60 Hz maximum
Water connections	maximum pressure 100 psi (689.6 kPa) minimum pressure 20 psi (137.9 kPa) drum capacity 46 litres
Spin speed	up to 1200 rpm
	This appliance was tested by UL and conforms with both Canadian and U.S. UL safety requirements and displays their Mark
	Indesit Company offers to his customers products with the ENERGY STAR Label

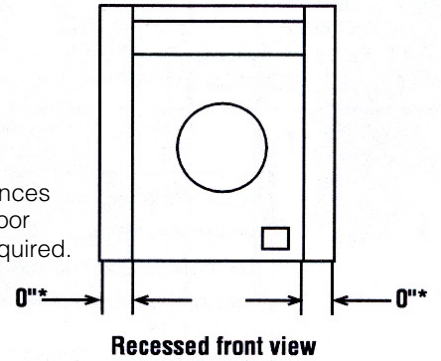
RECESSED, CLOSET AND ALCOVE INSTALLATION (Instructions)

The machine may be installed in a recessed area, closet or alcove.

The installation spacing is in inches and is the minimum acceptable. Additional spacing should be considered for easy installation, servicing and in compliance with local codes or ordinances. Other installation must use the minimum dimensions indicated .

Minimum installation spacing

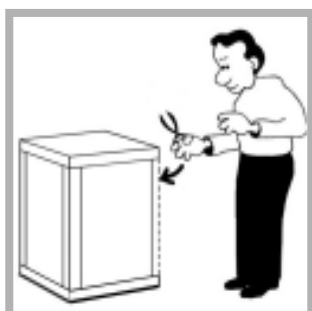
* Additional clearances for wall, door and floor moldings maybe required.



As a result of technological progress, the manufacturer reserves the right to make any improvements to its appliances without giving prior notice to its clientele.

! Keep this instruction book on hand in order to refer to it when necessary. Take it you when you move, and should you sell this appliance or pass it on to an other party, make sure that this booklet is supplied along with the appliance so that the new owner may be informed about warnings and suggestions on how the works.

Unpacking



1. Using scissors, cut carefully along one corner post to remove the film.

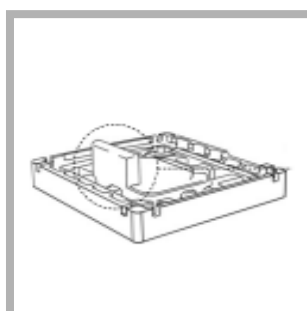


5. Remove the polystyrene base.



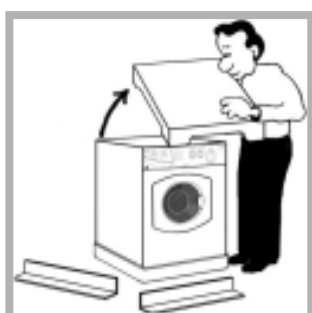
2. Open the door, check inside the drum and remove the accessories bags.

! Retain all packaging material until installation is complete.

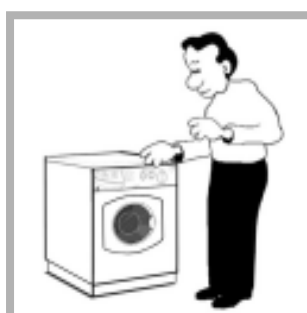


6. ! IMPORTANT check when unpacking your machine:

! This is the part of the polystyrene base and should have stayed intact when you removed the base. If it has broken off and is still in the machine... remove it... while the machine is still laying on its side on the top cap.



3. Lift of the polystyrene top cap and remove the four corner posts.



7. Stand the machine upright.



4. Carefully lay the left side of the machine down onto the top cap.

! We recommend that a second person help to raise and lower the machine.

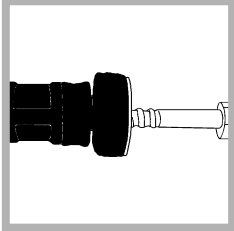


Protect the environment
Please dispose of the packaging material carefully and considerately.

! Continue to read the rest of these instructions carefully; the following pages contain important information on installation and troubleshooting.

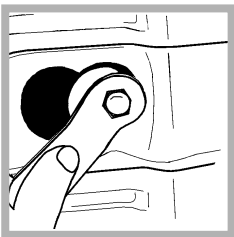
Remove the Shipping Bolts

IMPORTANT:

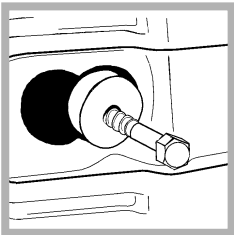


Read these instructions to remove the 4 shipping bolts (see Description for location). Situated on one either side of the rear panel, **All shipping bolts MUST be removed before use.**

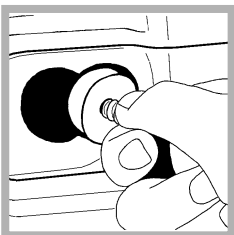
! Failure to do so may cause damage to your machine. It is important the transit bolt and spacer (see pic) come out intact.



1. Unscrew the bolt using a 13 mm wrench.



2. **STOP** when 3 threads can be seen.



3. Hold, slide sideways and pull to remove.

4. For safety, close the holes left by removing the bolts.

! Packaging materials are not children's toys.

Did you know?

- ...the shipping bolts are fitted to ensure that your machine is undamaged during delivery.
- ...both of the shipping bolts must be removed before using the machine, not doing so will lead to excessive vibration, movement of the machine and could eventually lead to internal damage.
- ...the majority of problems with noisy machines are due to the shipping bolts not being removed, closely followed by the feet not being adjusted correctly to level the machine.
- ...you will be charged for a service engineers visit if a problem with your machine is caused by incorrect installation or misuse.

Location

Where you install your machine will affect its performance:

! For your safety and to comply with electrical regulations, seek professional advice if you want to install your machine in a bath or shower room.

- Make sure that the electrical socket and water taps are easily accessible. You should switch off the machine's electrical and water supplies when you are not using it for extended periods.
- Make sure that you allow enough space for the machine. Select a space at least 23.6" (60 cm) wide, 23.6" (60 cm) deep and 33.4" (85 cm) high. Also leave enough space to open the door fully, so that you can load and unload it easily.
- Where possible, the machine should be positioned on a solid floor to minimise vibration.

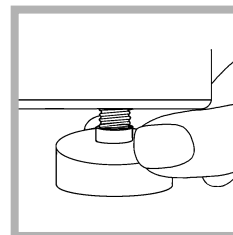
Take care when you move the machine not to rip any floor coverings. The weight of the machine may cause indentations in some floor coverings.

Levelling

Your machine will be noisy if the two front feet are not adjusted so that the machine stands firm and level.

! The machine should be levelled from side to side and from front to back.

1. Move your machine into its final location.
 - Take care not to trap or kink the hoses.
2. Turn one or both front feet counter-clockwise by hand until the feet cannot be turned any more. When adjusting the feet, use a spirit level to check the machine stands level, from side to side and from front to back.



If the floor is not perfectly level, compensate for any unevenness by tightening or loosening the adjustable front feet (*see figure*); the angle of inclination, measured according to the worktop, must not exceed 2°.

The spring on each foot will stop them coming loose.

! If it is placed on a fitted or loose carpet, adjust the feet in such a way as to allow enough room for ventilation beneath the machine.

Water Connection

Caution

1. The washing machine must only be operated with cold and hot (max. 140°F/60°C) tap water. Do not connect the appliance to the mixer tap of an unpressured hot-water boiler.
2. To prevent water damage, the hot and cold water valves should be accessible when the washer is in place and should always be turned off when the washer is not in use.

! Remember: please use the new hoses supplied, fitted to the machine. Old hoses may cause leaks due to worn out washers or may be split due to water pressure.

Connecting the water inlet hoses

Included in the accessories supplied with the machine are 2 inlet hoses. The straight end of these hoses should be connected to the supply.

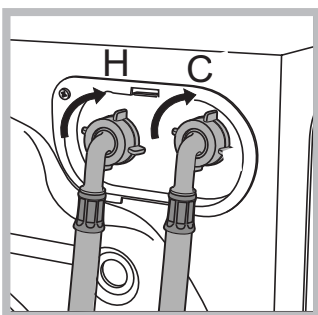
The 90° angled end of these hoses should be connected to the inlet valves on the back of the machine to make a water tight seal on each connection (see below figure).

The couplings should be tightened by hand, a tool should only be used if a leak occurs. Do not use excessive force.

Repair or replacement of a part should be made only by a qualified service technician to prevent personal injury or damage to the machine. Inlet valves are color coded:

Red = Hot / **White** = Cold

Connection.



1. Screw the cold water fill hose (C blue connector) onto the cold water supply until tight.
2. Turn on the cold water supply and check for leaks, tighten if necessary.
3. Screw the hot water fill hose (H red connector) onto the hot water supply until tight.

onto the hot water supply until tight.

4. Turn on the hot water supply and check for leaks, tighten if necessary.

Drainage Connection

Standpipe Diameter/Capacity. Needs a 1 1/4 minimum diameter standpipe with a minimum carry-away capacity of 7 gallons per minute.

Top of Standpipe. Must be between 25" - 34" inches (62-86 cm) high measured from the bottom of the machine.

Outlet End of Drain Hose (provided with the unit). Must be at least 20" above the bottom of the washer. An air break must be available at the standpipe to avoid siphoning. No more than 6" of the drain hose should be inserted into the drain pipe to prevent siphoning.

! Although you may need to move the hooked end support along the grey drainage hose,, DO NOT remove it.

! Whichever draining method you use, make sure that the hooked end support is fixed level to, or above the 'Plumbing Indicator Line'.

You should carefully position the drain hose to avoid kinks and ensure proper drainage of the water.

The outlet end of the drain hose must be at least 25" (62 cm) above the base machine. At this point it's possible for the water to be discharged into a sink or drain pipe, but an air break must be available at this 24" height to prevent the machine from syphoning (see figures page 8).

No more than 6" of the drain hose should be inserted in the drain pipe.

Important.

- Make sure that the drain hose is not kinked and the water flow has not been restricted.
- The machine must rest solid on a sturdy floor for optimum performance and minimum vibration.

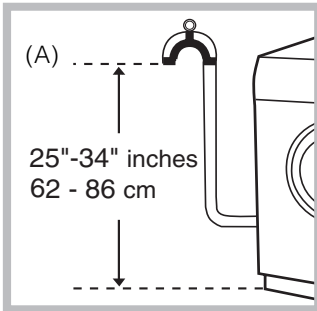
Hints and tips

- ! Make sure there are no kinks or bends in the hose.
- ! The water pressure at the supply tap must be within the values indicated in the Technical details table (see table on page 4).
- ! Always use a new inlet hose.
- ! Check the water inlet hose at least once a year, replace if cracked as worn hoses could split under water pressure.
- ! **Do not overtighten.** The couplings should be tightened by hand; a tool should only be used if a leak occurs. Do not use excessive force.

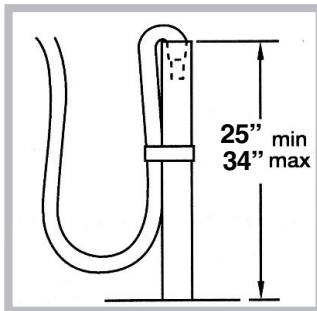
Installation

NA

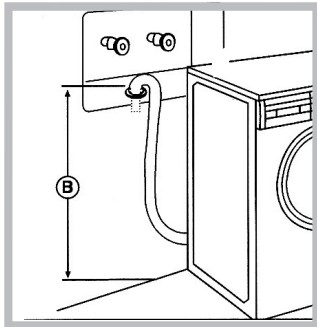
Floor Standpipe Drain



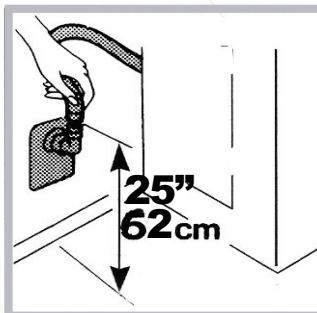
Top of standpipe must be at least 25 inches (62 cm) high and no higher than 34 inches (86 cm) from the bottom of the washer (A).



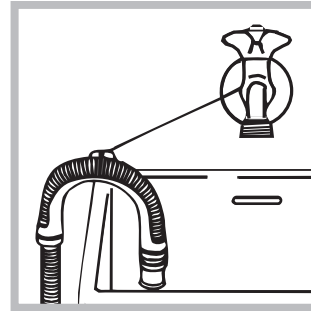
Wall Standpipe Drain



Top of standpipe must be at least 25 inches (62 cm) min.; 34 inches (86 cm) max from end of drain hose to bottom of washer (B) (See figures aside and below).



Sink Drainpipe Method

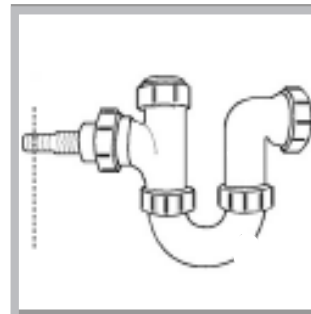


Entry into the sink drain system must be above the trap (see fig. aside). When routing the drain hose through cabinets or walls use a protective material such as electrical duct tape to cover sharp edges that could damage the drain hose. Use a suitable clamp to secure the drain hose to the "Y" branch or

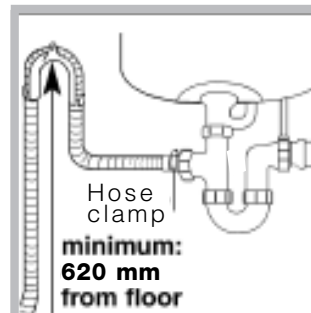
the disposer. With a sink drainpipe system (see figures aside and below), you may connect directly:

- 1) to a disposer by following the manufacturers attachment method.
- 2) directly to a "Y" branch tail piece (Available at most hardware stores).
- 3) through the floor to a separate trap. The trap must be vented to prevent siphoning. To provide proper venting, install an Air Gap Kit (available at most hardware stores).
- 4) To the faucet using a Faucet Adapter Kit (available separately). It will supply water from your faucet and discharge water directly into your sink drain.

Under Sink Method



1. Cut the blocked end of the under sink drainage unit.



2. Fix the hooked end support a minimum of 620 mm from the floor.
3. Use a hose clip clamp to securely attach the grey drainage hose end to the under sink drainage unit using a hose clamp.

Electrical connection

Machine Voltage/Amperage - 120V, 60 Hz, 3 Amp.

Connection - 3-prong plug with 6' cord is provided with the machine.

Circuit/Protector - 3-wire single phase, 120V, 60 Hz, AC, on a separate 15 Amp circuit.

GROUNDING INSTRUCTIONS

This appliance must be grounded. In the event of malfunction, or breakdown, grounding will reduce the risk of electric shock by providing a path for electric current. This appliance is equipped with a cord having an equipment grounding conductor and grounding plug. Plug into an appropriate outlet that is properly installed and grounded in accordance with all local codes and ordinances. DO NOT modify the plug provided with the appliance. If it will not fit the outlet, have a proper outlet installed by a qualified electrician.

WARNING: Improper connection of the equipment-grounding conductor can result in a risk of electric shock. Check with a qualified electrician or serviceman if you are in doubt as to whether the appliance is properly grounded.



Attention !



For your own protection and to prevent accidents, injury and fire, please read the following carefully before installing the washer.

- Installation and grounding must be done in accordance with local codes and by a qualified installer. Installation instructions provided in this booklet are for the installer's reference.
- Washer MUST be installed on a strong, level floor and in a protected dry and well-ventilated area close to a power supply and drain outlet of sufficient capacity. DO NOT install on carpet.



Important :

Installation on carpet floors will cause the machine to vibrate and may result in excessive machine vibration during the spin cycles and loss of performance.

- The washer should be plugged into a properly grounded (3) prong electrical outlet capable of 120 Volt, 60 Hz, and 3 Amp. It shouldn't be controlled by a wall switch or pull cord which could be turned off accidentally. For your safety, the third or round grounding prong must never be removed. DO NOT USE AN EXTENSION CORD.
- DO NOT install or store this appliance where it will be exposed to weather or in an area where gasoline or other flammables are stored.

Final installation checklist

NA

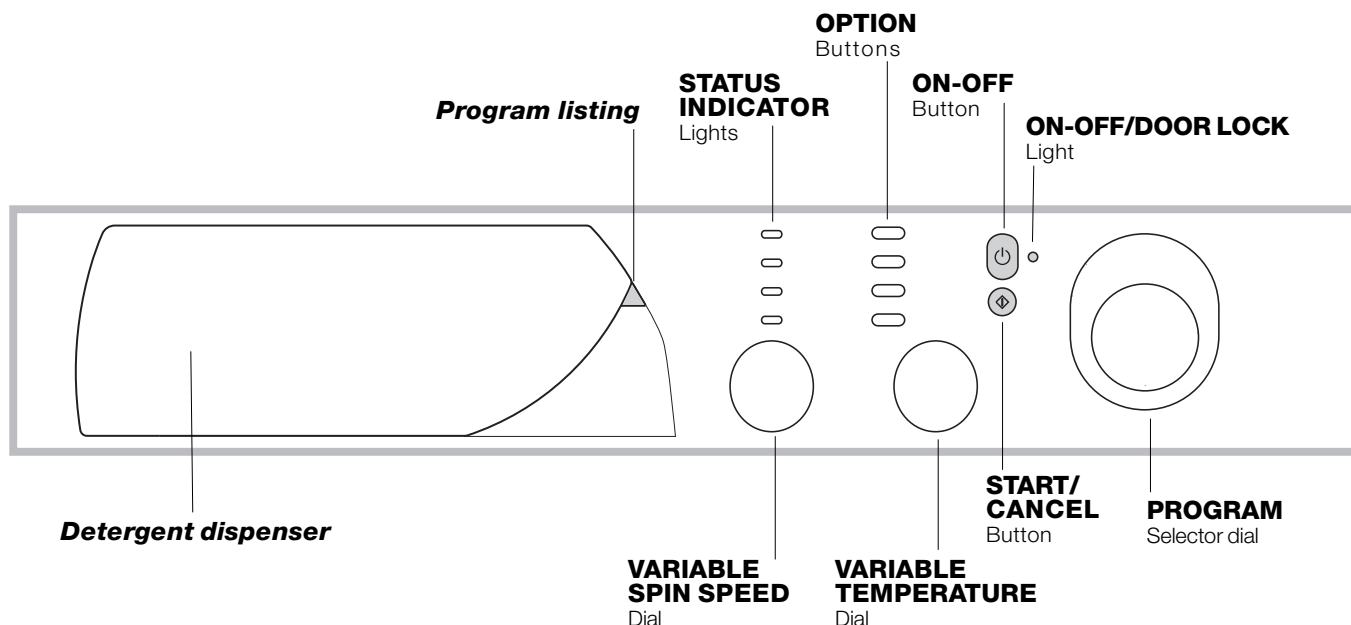
- Instructions and Installation Kit have been removed from the tub.
- Shipping straps have been removed.
- Washer is plugged into electrical outlet and is properly grounded.
- Water hoses are connected to the faucets with inlet screens and washers
- Water is turned on and checked for leaks at faucet and water valve connections.
- Drain hose is properly located into drain facility and is not collapsed or damaged.
- Washer has been leveled.
- Test for proper operation by running the washer through a complete cycle at max temperature.
- Shipping bolts removed.

Washing machine description

NA

Control panel AW 125 (NA)

Warning: To reduce the risk of fire, electric shock, or injury, read the IMPORTANT SAFETY INSTRUCTIONS, (see page 3) before operating this appliance.



Control panel features

Program Listing: To consult a straightforward chart of the different programs available.

Option Buttons: To select the options available (see *Program Table and Option Modifiers*).

Variable Temperature Dial: To modify the temperature according to the chosen programs *.

Variable Spin Speed Dial: To reduce the spin speed or exclude the spin cycle completely.

On/Off Button: To turn the washing machine on and off.

Start/Cancel Button: To start the program or to cancel it, if incorrect settings were selected.

Program Selector Dial: to select the wash programs. The knob stays still during the cycle.

Status Indicator Lights: Show if the door is locked (when lit, the door cannot be opened) and the stage of the program that the machine has reached (wash, rinse or spin).

ON-OFF/DOOR LOCK led:

If this LED is on, the appliance door is locked to prevent it from being opened accidentally; to avoid any damages, wait for the LED to flash before you open the appliance door.

! The rapid flashing of the ON-OFF/DOOR LOCK Led together with the flashing of at least one other LED indicates there is an abnormality. See page 20-21, and in case Call for Technical Assistance.

Option modifiers

NA

Superwash:

Use this option to select a more intensive wash and time program for the cotton (Heavy cotton, Regular cotton) and synthetics-permanent press (Heavy synthetics, Regular Synthetics).

Pre-wash Button:

For heavily soiled loads, push this button to add an extra wash to any wash program (except 3-4-7-10-11 programs).

Easy Iron Button (Rinse Hold):

This option reduces the amount of creasing on fabrics, making them easier to iron.

Selecting this option the washing machine will reduce wash action and spin speed (max 600 rpm) for programs 5-6-7 and the machine will stop on the last rinse.

For the Silk program, the Soaking (stop with water) is carried out if the button Easy iron is pressed: the washer will pause the cycle in the final rinse with laundry soaking in water.

The machine will stay in this state until the Start/Cancel button is pressed again.

Extra Rinse:

Additional rinse Increases the efficiency of the rinse (except programs 8-9-10-11).

Note: This function will carry out a full extra rinse to ensure maximum possible detergent removal. Particularly useful for people with sensitive skin.

Variable Spin Speed Dial:

Use this option to reduce the spin speed below the maximum for the program you have chosen.

Note: The washing machine will automatically prevent you from selecting a spin speed higher than the maximum speed for each program.

Variable Temperature Dial*:

Use this knob to set your wash water temperature. Choose between COLD, WARM, HOT, AUTO or variations between.




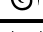
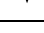
***.Note:** When you set the Dial on "Auto" the washing machine will load water either hot, warm or cold according to the chosen program, and anyhow at the higher level (of temperature) of the program.

Warning: Whether you select an option unsuitable to the chosen program the corresponding LED will blink for some seconds and then will go out. Instead, if the chosen option is suitable to the chosen program the button LED will stay on.

Program and Options Modifiers

AW 125 (NA)

NA

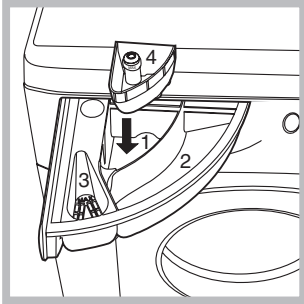
Type of fabric and degree of soil	Program Dial N.	Program	Max Load Lbs	Pre-wash (Option)	Detergent for wash	Fabric softener	Bleaching	Temperature F/C°	Options	Length of the cycle (min.) without Options	Description of wash cycle
COTTON HEAVY DUTY											
Exceptionally soiled whites (sheets, tablecloths, etc.)	1	Heavy	12	◆	◆	◆		140 / 60	Super Wash Pre-Wash Extra Rinse	80	Wash cycle, two rinse cycles, intermediate and final spin cycles
Very Soiled whites (sheets, tablecloths, etc.)	2	Regular	12	◆	◆	◆		140 / 60	Super Wash Pre-Wash Extra Rinse	72	Wash cycle, two rinse cycles, intermediate and final spin cycles
Regular (Normally soiled whites and fast colors)	3	Light	12		◆	◆		140 / 60	Extra Rinse	55	Wash cycle, two rinse cycles, intermediate and final spin cycles
Stained soiled whites and fast colors (shirts, jumpers, etc.)	4	Cotton+ Bleach	12		◆	◆	Traditional	140 / 60	Extra Rinse	85	Wash cycle, three rinse cycles, intermediate and final spin cycles
Rinse cycles						◆			Extra Rinse		Rinse cycles, intermediate and final spin cycles
Spin cycle											Draining and final spin cycle
PERMANENT PRESS											
Heavily soiled fast color synthetics (baby linen, etc.)	5	Heavy	6	◆	◆	◆		140 / 60	Super Wash Pre-Wash Extra Rinse Easy Iron	65	Wash cycle, two rinse cycles, delicate spin cycle Easy iron (*)
Delicate color synthetics (all types of soiled garments)	6	Regular	6	◆	◆	◆		140 / 60	Super Wash Pre-Wash Extra Rinse Easy Iron	59	Wash cycle, two rinse cycles, delicate spin cycle Easy iron (*)
Delicate color synthetics (all types of slightly soiled garments)	7	Light	6		◆	◆		140 / 60	Extra Rinse Easy Iron	53	Wash cycle, two rinse cycles and delicate spin cycle Easy iron (*)
Delicate (lingerie, etc.)	8	Delicate	4	◆	◆	◆		104 / 40	Pre-Wash	60	Delicates, two rinse cycles, delicate spin cycle
Rinse cycles						◆			Extra Rinse		Rinse cycles, delicate spin cycle
Spin cycle											Draining and delicate spin cycle
DELICATES											
Silk, particularly delicate garments and fabrics (curtains, silk, viscose, etc.)	9	Silk	4	◆	◆	◆		86 / 30	Pre-Wash	39	Wash cycle, three rinse cycles, Draining (*)
Wool	10	Wool	2.5		◆	◆		104 / 40		52	Wash cycle, four rinse cycles and delicate spin cycle (600 rpm)
Daily - Delicate colors (all types of slightly soiled garments)	11	Daily Wash 30°	4		◆	◆		86 / 30		30	Wash cycle, two rinse cycles and delicate spin cycle
Special Programs											
Rinse						◆					Rinse cycles and spin cycle
Delicate rinse cycle						◆					Rinse cycles, anti-crease or draining
Spin cycle											Draining and heavy duty spin cycle
Delicate spin cycle											Draining and delicate spin cycle
Draining											Draining

(*) For finishing the program press the button start.

Important: To cancel the wash program you have just press start button for at least 5 seconds.

Detergent dispenser

Good washing results also depend on the correct dose of detergent: adding too much detergent won't necessarily make for a more efficient wash, and may in fact cause build up on the interior of your appliance and even pollute the environment.



Open up the detergent dispenser and pour in the detergent and fabric softener, as follows.

compartment 1: Detergent for pre-wash (powder)

Before pouring in the detergent, make sure that extra compartment 4 has been removed.

compartment 2: Detergent for the wash cycle (powder or liquid)

Liquid detergent should only be poured in immediately prior to the wash cycle start.

compartment 3: Additives (fabric softeners, etc.)

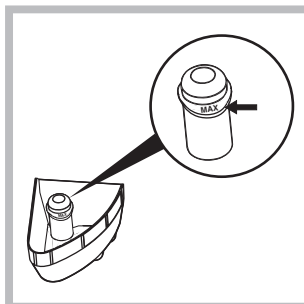
The fabric softener should not overflow from the grid.

extra compartment 4: Bleach

! Do not use Hand Wash Detergent because it may form too much foam.

Bleach cycle

! **Traditional** bleach should be used on sturdy white fabrics.



Place extra compartment 4, provided, into compartment 1. When pouring in the bleach, be careful not to exceed the "max" level indicated on the central pivot (*see figure*).

The use of extra compartment 4 excludes the possibility of using the pre-wash cycle.

Cashmere Platinum

As gentle as a hand wash.



Ariston is the only washing machine to have obtained the prestigious Woolmark Platinum Care mark of recognition (M.0303) from The Woolmark Company, which certifies the machine washing of all woollen garments, even those whose label states "hand wash only".

The "Wool" program therefore offers you complete peace of mind when washing all woollen garments, with great performance guaranteed every time.



Warning



**AVOID RISK OF POISONING KEEPING
DETERGENTS AND ADDITIVES OUT OF
THE REACH OF CHILDREN !**

Starting a wash Program

NA

Laundry preparation

Sorting

Clothes should be sorted from separate items which could damage other garments. Sort items into loads according to similar colors, fabrics, garment construction and degrees of soil.

Color

Separate clothes into three groups: Whites and pastels, medium and bright colors, Dark colors. Items which bleed color should be washed alone.

Type of fabrics

Delicate items should be separated from sturdier items. Fabrics that shed lint should be separated from the ones which shed none or attract lint.

Garments constructions

Garments that may fray easily or that have unusual trim require gentle care. These garments may be washed in the loader using the knit cycle. If garments are fragile and delicate, hand washing may be desirable.

Degree of soil

Heavily soiled items should be separated from the rest of the wash to prevent transfer of soil in the wash water.

Inspection

While sorting clothes into wash-loads, also inspect each garments to see if it requires special care (see table fabric care on page 15).

Pretreating

Remove stains, while they are fresh and easy to get out. Try cold water first to remove unknown stains. Hot water sets stains containing protein such as blood, egg, meat and milk. To remove difficult stains, refer to the removal Chart on page 17.

Preatreat heavily soiled areas, such as collars, cuffs, and centers of pillowcases.

Mend rips and tears, before washing, so further damage is not done to garments.

Empty pockets.

Objects left in pockets such as crayon, pens or markers, or tobacco crumbs may stain an entire wash load. Paper issues will shred leaving bits on each item in the washer. Remove coins and other foreign object to prevent damage to the machine.

Fasten all hooks, zippers and buttons.

Turn knit garments wrong side

out to reduce the tendency of knits to “pill”. Fabric “pills” are balls of fibers on the surface of the garments and cause damage by wear or friction.

Remove loose dirt and sand.

Brush dirt from trouser cuffs; shake or vacuum rugs to remove loose surface soil.

If buckle is washable,

place a scrap of material securely around the ornament before washing and drying to prevent scratching and damage to the machine. Remove non-washable trims, buckles, buttons and belts.

Tie strings

belts and apron sashes into bows to avoid tangling during washing.

Curtains: fold curtains and place them in a pillow case or mesh bag. Wash them separately without exceeding half the appliance load. Use program 9 which excludes the spin cycle automatically.

Quilted coats and windbreakers: if they are padded with goose or duck down, they can be machine-washed. Turn the garments inside out and load a maximum of 2-3 kg, repeating the rinse cycle once or twice and using the delicate spin cycle.

Trainers: remove any mud. They can be washed together with jeans and other tough garments, but not with whites.

Wool: for best results, use a specific detergent, taking care not to exceed a load of 1,3 kg.

Prewash

Prewash excessively soiled clothes, such as work or children's clothes.

They often get very soiled. Prewashing with detergent will help loosen the soil

Before loading the washer,
make sure the drum is empty.

Washcare tips

Useful tips

Never use your washing machine to wash... torn, fraying or non-hemmed linen. If it is absolutely necessary, place it in a bag for protection. Do not wash colored linen with whites.

Watch the weights!

For best results, do not exceed the weight limits stated below (figures show weight of dry garments):

- **Resistant fabrics** (heavy - regular-light cotton):
12 lbs (5 Kg) maximum
- **Synthetic fabrics** (heavy-regular-light):
6 lbs (3 Kg) maximum
- **Delicate fabrics**
4 lbs (2 Kg) maximum

Denim Alert.

Some overalls have straps with hooks that can damage the drum of your washing machine or other garments during the wash. To minimize the risk, place hooks in the pocket and fasten with safety pins.

- **Pure new wool**
2.5 lbs (1.3 Kg) maximum
- **Bathrobe** 5.5 lbs (2.5 Kg) maximum

How much does it weigh?

- 1 sheet 1 1/4 lb** (400-550 gr.)
- 1 pillow case 4 oz.** (120 gr.)
- 1 tablecloth 1 lb** (450 gr.)
- 1 bathrobe 2-3 lbs** (900-1,300 gr.)
- 1 towel 5oz/1 lb** (150-500 gr.)

Colored T-shirts, printed ones and shirts last longer if turned inside out before washing.
Printed T-shirts and sweatshirts should always be ironed inside out.

Wool cycle

For best results, we recommend you use very little detergent, taking care not to wash more than 2.5 lbs (1,3 Kg) of laundry.

Vacations: unplug the appliance.

It is recommended that you should unplug the machine from the socket and turn off the water supply. Leave the door ajar to allow air circulation to the drum and the door gasket area. This will prevent unpleasant odours.

**For more delicate garments:
protect underwear, tights and stockings and
delicate items by placing them in a linen bag**

Understanding Fabric Care Labels



The symbols on labels of your garments will help you in choosing suitable wash program, the right temperature, wash cycles and ironing methods. Don't forget to give a glance to these useful indications !

Machine Wash Cycle	Normal/ Cotton Heavy Duty	Permanent Press/ wrinkle resistant	Delicate/ Gentle	Hand wash	Do not wash	Do not wring
Water Temp.	Hot (50°C/120°F)	Warm (40°C/105°F)	Cold/Cool (30°C/85°F)			
Tumble Dry	Dry	Normal/ Cotton Heavy Duty	Permt Press/ wrinkle resistant	Delicate/ Gentle	Do not tumble dry	Do not dry
Special Instructions	Line dry/ hang to dry	Drip dry	Dry flat	In the shade		
Bleach Symbols	Any bleach (when needed)	Only non-chlorine bleach (when needed)	Do not bleach			


Operating the washing machine

NA

Briefly: On-Off / Starting a program

1. Switch the washing machine on by pressing button . All the LEDs will light up for a few seconds and the ON-OFF/DOOR LOCK Led will begin to flash.
2. Load your laundry into the washing machine and shut the appliance door.
3. Set the PROGRAM dial to the program required.
4. Set the wash temperature (see page 11).
5. Set the spin speed (see page 11).
6. Add the detergent and any fabric softener (see page 13).
7. Start the program by pressing the START/RESET button. To cancel it, keep the START/RESET button pressed for at least 2 seconds (see Program and Options modifiers).
8. When the program is finished, the ON-OFF/DOOR LOCK LED will flash to indicate that the appliance door can be opened. Take out your laundry and leave the appliance door ajar to allow the drum to dry thoroughly. Turn the washing machine off by pressing button .

To stop or change a program:

1. Press the Start/Cancel button for 5 seconds.
2. Select 'Pump out'  on the program selector dial.
3. When the machine has finished emptying, turn the program selector knob to the new program required. You may need to add detergent.
4. Press the start button to start the program.

Automatic feature

Unbalance load detection

The washing machine has an inbuilt feature to prevent it from spinning too fast with an unbalanced load.

When an unbalanced load is detected, the washing machine will attempt to redistribute the load in order to balance it evenly to achieve full spin speed.

If this is not possible and an unbalanced load remains the spin speed will be reduced, depending on the amount of unbalanced detected. This is to prevent the machine from damaging itself or its surroundings and to prevent excessive noise from the washing machine.

If the spin result is unsatisfactory following a reduced spin speed attempt to rectify the unbalanced load, then on completion of the program the load can be redistributed evenly in the drum by hand. Select a spin cycle.

Note: Do not attempt to spin heavy or absorbent single items as the machine cannot distribute these evenly. If you need to wash a single item you will need to add some other items as ballast to allow the machine to distribute the load evenly throughout the drum.

A typical wash load

Two examples of maximum load for different types of fabric:

COTTON	2 Bath Towels 1 Hand Towel 5 Shirts 5 Blouses 1 Set of Pyjamas 4 Items of Underwear
= 12 Lbs (5 Kg)	

SYNTHETICS	2 Children's Dresses 4 Shirts 4 Blouses 1 Set of Pyjamas 4 Items of Underwear
= 6 Lbs (3 Kg)	

Before washing, you can do a great deal to ensure better results. Divide your garments according to fabric and color. Read the labels, follow their guidelines

Stain Removal Chart

Blood

Rinse or soak fresh stain in cold water. Work detergent into any remaining stain. Rinse. If stain persists, put a few drops of ammonia on stain and repeat detergent treatment. Rinse. If necessary bleach.

Candle Wax

Scrape off excess. Place stain between clean white blotters or several layers of facial tissues. Press with warm iron. Sponge with detergent. If dye spot remains, bleach.

Ketchup

Scrape off excess. Soak in cold water 30 minutes. Pretreat with a detergent paste. Launder.

Chewing Gum

Rub with ice to harden. Scrape off excess with dull blade. Sponge with cleaning fluid.

Chocolate or Cocoa

Soak 15 minutes in cold water. Rub detergent paste into stain, then rinse thoroughly. Launder in hottest water safe for fabric. If colored stain remains, sponge with hydrogen peroxide, rinse and launder.

Coffee or Tea (Black)

Soak fresh stains immediately in cold water. Then use bleach treatment with hottest water safe for fabric. Or if safe for the fabric pour boiling water through spot from a height of 1 to 3 feet. Launder.

Coffee or Tea (With Cream)

Rinse or soak in cold water. Work detergent into stain. Rinse. Dry. If grease stain remains, sponge with cleaning fluid. Repeat, if necessary. If stain remains, bleach.

Cosmetics: eye shadow, lipstick, liquid make-up, mascara, powder, pancake make-up or rouge

Apply undiluted liquid detergent to stain, or dampen stain and rub in soap or detergent paste until thick suds are formed. Work in until stain is gone, rinse well. Repeat if necessary. If color remains, bleach if safe for fabrics.

Cream, Ice Cream or Milk

Sponge stain with cool water or soak stain in cool water for 30 minutes or longer. If stain remains, work a detergent into spot then rinse. Bleach if necessary.

Deodorants and Antiperspirants

Wash or sponge stain thoroughly with warm water and detergent; rinse. If stain remains, bleach with hot sudsy water. Launder. You may be able to restore fabric color by sponging with ammonia. Rinse thoroughly.

Egg or Meat Juice

Rinse in cold water. If stain remains, sprinkle with meat tenderizer, let stand 15-20 minutes. If stain still remains, sponge with cleaning fluid or diluted bleach. Launder in hot water. The use of hot water first may set stain.

Dye

Rinse or soak in cold water. Work detergent into stain. Rinse. If necessary, bleach. Stain is not always possible to remove. A commercial color remover may also be used.

Fabric Softener Stain

Rub with bar soap until stain has lightened. Rinse thoroughly. Launder. Rubbing alcohol is sometimes effective if the color of the garment can take it. Launder. If desired, dry cleaning can be used.

Felt tip pen

Spray spot with cleaners suitable to this purpose. Sponge stain thoroughly. Rinse with cold water. Reapply cleaner if necessary .

Fruit, Wine

Soak fresh stains immediately with cool water. Then use bleach treatment with hottest water safe for fabrics, pour boiling water through spot from a height of 1 to 3 feet. Launder.

Grass

Work detergent into stain. Sponge with denatured alcohol. Bleach, if necessary.

Grease or Oil

Scrape away excess. Rub detergent paste or a general purpose liquid household cleaner into stain, rinse with hot water. If stain remains, sponge thoroughly with a grease solvent. Dry. Repeat if necessary. To remove yellow stain, use a chlorine or oxygen bleach.

Ink

Some ball-point inks are set by water. First test a scrap of cloth. Sponge stain repeatedly with acetone, or rubbing alcohol. Hair spray is effective. Launder. Bleach if necessary. Use amyl acetate on triacetate, arnel, dynel and verel. Use acetone on other fabrics.

NOTE: Some inks cannot be removed.

Mildew

Brush off surface growth to keep mold spores from spreading. Dip article into solution of 1/2 cup bleach per 1 gallon of cool sudsy water for 5 to 10 minutes. Rinse well. Launder.

Mud

Let stain dry; then brush well. Rinse repeatedly in cool water until mud comes out. Launder. (Hot soaps suds set a red or yellow clay stain).

Mustard

Soak in hot detergent water for several hours. If stain remains, bleach.

Nail Polish

Treat while fresh, scraping or wiping off as much as possible, before it dries. Place stain face down on white paper towels. Sponge back of stain acetone (nail polish remover) or sponge with denatured alcohol and a few drops of household ammonia. Sponge stain frequently. Launder with water at temperature suitable for fabric.

Do not use acetone on acetate, arnel, dynel or rayon.

Paint

Sponge or soak in turpentine or solvent recommended as a thinner on label. Launder.

Perfume

Rinse in cold water. Rub undiluted liquid detergent or a detergent paste into stain. Rinse. If stain remains, bleach.

Perspiration

Wash or sponge stain thoroughly with warm water and detergent paste. If perspiration has changed the color of the fabric, restore it by treating with ammonia or vinegar. Apply ammonia to fresh stains; rinse with water. Apply vinegar to old stains; rinse with water.

Rust and Iron

Apply commercial rust remover, according to manufacturer's directions. Rinse. Or, if safe for fabric, boil stained article in solution of 4 teaspoons of cream of tartar to 1 pint water.

Scotch

Rinse or soak in cold water. Work detergent into stain. Rinse. Bleach, if necessary. Stain may be impossible to re move.

Urine

Soak in cool water. If stain is dry, work a detergent paste into the spot then rinse. If necessary, bleach.

Shoe

Polish Scrape off as much as possible. Pretreat with a detergent paste; rinse. If stain persists, sponge with rubbing alcohol (1 part to 2 parts water) or turpentine. Remove turpentine by sponging again with warm detergent solution or with alcohol. Bleach if necessary.

Soft Drinks

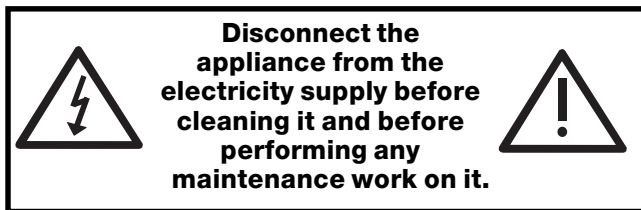
Sponge with cold water, some stains are invisible when they have dried, but turn brown when heated and may be impossible to remove.

Tar and Asphalt

Act quickly before stain is dry. Sponge with grease solvent or turpentine. Launder.

Cutting off the water or electricity supply

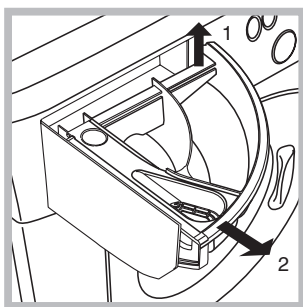
- Turn off the water tap after every wash. This will limit the wear of your appliance's water system and also prevent leaks.
- Unplug your appliance when cleaning it and during all maintenance operations.



Cleaning your appliance

The exterior and rubber parts of your appliance can be cleaned with a soft cloth soaked in lukewarm soapy water. Do not use solvents or abrasives.

Cleaning the detergent dispenser



Remove the dispenser by raising it and pulling it out (see figure). Wash it under running water; this operation should be repeated frequently.

Caring for your appliance door and drum

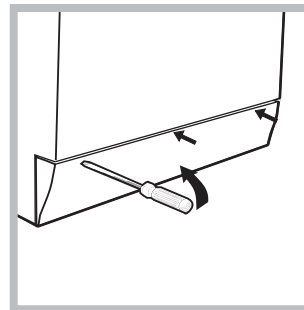
- Always leave the appliance door ajar to prevent unpleasant odours from forming.

Cleaning the pump

The washing machine is fitted with a self-cleaning pump that does not require any maintenance. Sometimes, small items (such as coins or buttons) may fall into the pre-chamber that protects the pump, situated in the lower part of the same.

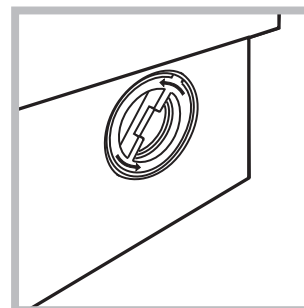
! Make sure the wash cycle has ended and unplug the appliance.

To access the pre-chamber:



1. using a screwdriver, remove the cover panel on the lower front of the washing machine (see figure);

2. unscrew the lid rotating it anti-clockwise (see figure); a little water may trickle out. This is perfectly normal;



3. clean the interior thoroughly;

4. screw the lid back on;

5. reposition the panel, making sure the hooks are securely in place before you push it onto the appliance.

Checking the water inlet hose

Check the water inlet hose at least once a year. If you see any cracks, replace it immediately: during the wash cycles, water pressure is very strong and a cracked hose could easily split open.

! Never use hoses that have already been used.

Troubleshooting

NA

From time to time your machine may not operate as it should. Before calling for Assistance (*see* "Service-Assistance"), make sure that the problem cannot be resolved easily using the following list.

Malfunction:

Possible causes / Solutions:

The washing machine will not switch on.

- The plug has not been inserted into the electrical socket, or it has not been inserted far enough to make contact.
- There is no power in the house.

The wash cycle does not begin.

- The porthole door has not been shut properly.
- The START/RESET button has not been pressed.
- The water tap has not been turned on.

The washing machines fails to fill with water.

- The water inlet hose is not connected to the tap.
- The hose is kinked.
- The water tap has not been turned on.
- There is no water in the house.
- The water pressure is insufficient.
- The START/RESET button has not been pressed.

The machine continuously fills and drains water.

- The end of the outlet hose has not been fitted at a height between 25" - 34" inches (62 and 86 cm) from the floor (*see* "Installation").
- The free end of the hose is underwater (*see* "Installation").
- If the dwelling is on one of the upper floors of a building, there may be problems relating to water drainage, causing the washing machine to load and drain water continuously. Special anti-draining valves are available in shops and help to avoid this inconvenience.
- The water drainage system is not fitted with a breather pipe.

The machine does not drain or spin.

- The programme does not include a draining phase: some programs require manual draining (*see* "Programs and options").
- The Easy Iron option is enabled: to complete the program, press the START/RESET button (*see* "Programs and options").
- The outlet hose is bent (*see* "Installation").
- The drainage duct is clogged.

The washing machine vibrates too much during the spin cycle.

- The drum was not unlocked properly when the appliance was installed. Remove shipping bolts (*see* "Installation").
- The washing machine is not level (*see* "Installation").
- The washing machine is trapped between cabinets and a wall (*see* "Installation").
- The load is not balanced properly (*see* "Operating the washing machine").

The washing machine leaks.

- The water inlet hose is not screwed on to the tap correctly (*see* "Installation").
- The detergent dispenser drawer is blocked (for instructions on how to clean it, *see* "Care and maintenance").
- The outlet hose has not been secured properly (*see* "Installation").

The icons corresponding to the "Phase in progress" flash rapidly at the same time as the ON/OFF indicator light.

- Switch off the machine and unplug the appliance; wait for approximately 1 minute then switch it on again. If the problem persists, contact the Assistance.

There is too much foam.

- The detergent is not designed for machine washing (the packaging should state that the product is “for washing by machine”, “for washing by hand or machine” or similar).
- Too much detergent was used.

The washing machine door remains locked

- Wait for the LED to switch itself off before you open the appliance door.
! If the problem persists after the above checks have been carried out, shut off the water tap, switch off the machine and contact Assistance

Service

NA

Before calling for Assistance:

- Check whether you can solve the problem on your own (see page 20);
- Restart the programme to check whether the problem has been solved;
- If this is not the case, contact an authorised Technical Service Centre on the telephone number provided on the guarantee certificate.

! If the machine has been installed or used incorrectly, you may be charged for the maintenance callout service.

! Always request the assistance of authorised servicemen.

Notify the operator of:

- the type of problem;
- the appliance model (Mod.);
- the serial number (S/N);

This information can be found on the data plate situated on the rear of the door of the washing machine.

**CUSTOMER CARE,
SERVICE & PARTS : phone (888) 426-0825**

STATEMENT OF ARISTON WARRANTIES

The warranties provided by (Ariston) in this statement of warranties apply only to Ariston appliances sold to the first using purchaser by Ariston or its authorized distributors, dealers, retailers or service centers in the United States or Canada. The warranties provided herein are not transferable.

Length of Warranty

1 Year Full Limited Warranty from the date of purchase

Ariston will repair or replace, free of charge, any component part that proves defective in conditions of normal home use. Shipping and labor costs included. Warranty repair service must be performed by an authorized Ariston service center.

This warranty is subject to the following conditions:

- The appliance has been installed and operated correctly and in accordance with our operating and maintenance instructions.
- The appliance is used only on the electricity or gas supply printed on the rating plate.
- The appliance has been used for normal domestic purposes only.
- The appliance has not been altered, serviced, maintained, dismantled, or otherwise interfered with by any person not authorized by us.
- Any repair work must be undertaken by us or an Authorized Ariston Service Center.

EXCLUSIONS:

This warranty does not cover repair or service calls to correct the installation, to provide instructions on the use of your product, to replace house fuses or correct plumbing or the electric wiring in your home. In addition any repair to the products that's use was in a manner other than what is normal for home use is void of any warranty claim.

The warranties exclude any defects or damage arising from accident, alteration, misuse, abuse, improper installation, unauthorized service work, or external forces beyond Ariston control, such as fire, flood, and other acts of God, or installation not in accordance with local electric or plumbing codes.

This warranty does not cover: damage resulting from transportation, replacement of any consumable item or accessory including, but not limited to: plugs, cables, batteries, light bulbs, fluorescent tubes and starters, covers and filters. This warranty does not cover replacement of any removable parts made of glass or plastic.

Labor, shipping, and installation charges incurred in the repair or replacement of any product after a period of one year from the date of installation shall not be covered by this warranty. Any and all replaced or repaired parts shall assume the identity of the original for the purposes of the applicable warranty period. To the extent permitted by law, this warranty is in lieu of all other express and implied warranties, including the implied warranties of merchantability and fitness for a particular purpose. Ariston does not assume any responsibility for incidental or consequential damages.

Some states do not allow the exclusion or limitation of incidental or consequential damages, so the above limitation or exclusion may not apply to you. This warranty gives you specific legal rights and you may also have other legal rights which vary from state to state.

To obtain warranty services call 1-877-356-0766

Email Contact: service@aristonamerica.com

Be sure to provide: model number, serial number, purchase date, and the sellers name and address.

