

For added assurance against the possibility of water damage which could occur with any water using appliance, the Drain-a-way™ pan has been designed exclusively for your Splendide or ARISTON washer.

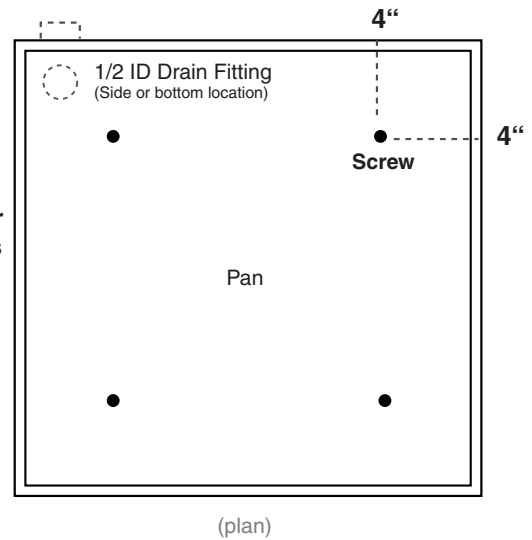
Step 1: Place Pan on solid level surface and align to opening. You may wish to mark the front edge to assure that the pan does not move during installation. Assure the drain fitting center is open. Using the threaded fitting in the pan, install your drain routed to the outside of to a suitable drain.*

Step 2: Attach pan to floor with screws provided. The locations of these screws should not interfere with the washer feet when installing it into the pan (see right).

Step 3: When finished, place your washer near the pan, then lift it into the pan.

*NOTE: Drain fitting accepts a 1/2 ID threaded fitting. To use, assure the fitting is open to drain. Install a threaded fitting with drain routed to the outside or to a suitable drain.

Attach Pan to floor
with 4 screws



SPLENDIDE DIV. WESTLAND SALES Clackamas, OR
Phone: 503-655-2563 (800-356-0766) / www.splendide.com

For added assurance against the possibility of water damage which could occur with any water using appliance, the Drain-a-way™ pan has been designed exclusively for your Splendide or ARISTON washer.

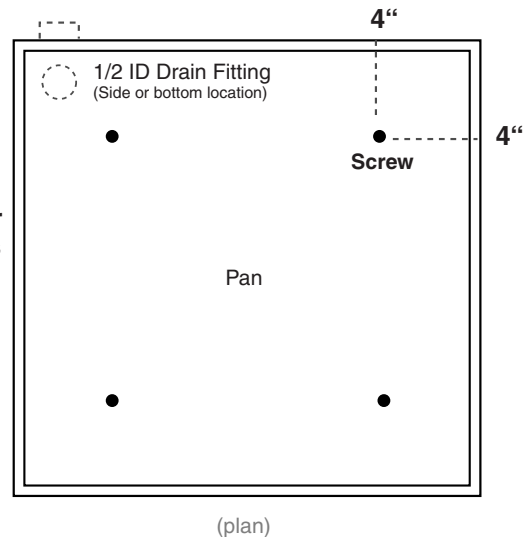
Step 1: Place Pan on solid level surface and align to opening. You may wish to mark the front edge to assure that the pan does not move during installation. Assure the drain fitting center is open. Using the threaded fitting in the pan, install your drain routed to the outside of to a suitable drain.*

Step 2: Attach pan to floor with screws provided. The locations of these screws should not interfere with the washer feet when installing it into the pan (see right).

Step 3: When finished, place your washer near the pan, then lift it into the pan.

*NOTE: Drain fitting accepts a 1/2 ID threaded fitting. To use, assure the fitting is open to drain. Install a threaded fitting with drain routed to the outside or to a suitable drain.

Attach Pan to floor
with 4 screws



SPLENDIDE DIV. WESTLAND SALES Clackamas, OR
Phone: 503-655-2563 (800-356-0766) / www.splendide.com