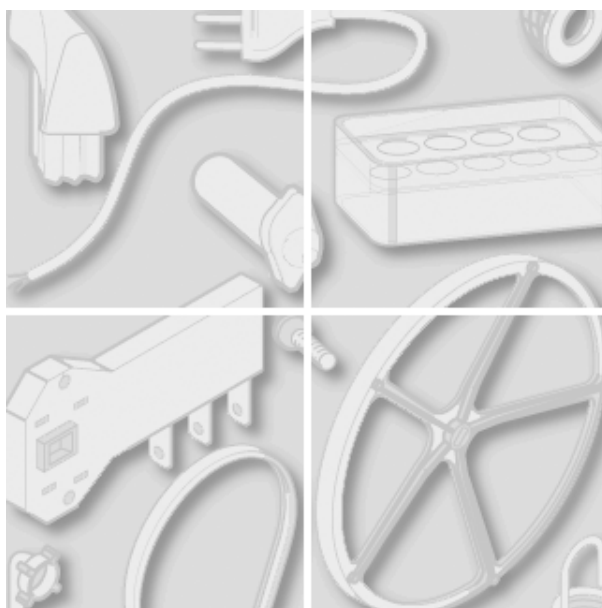


Indesit Company



Model type:

WDC7100XCNA

Commercial code:

49672

General notes

Technical Documentation guidelines

You can find herewith some generic information to simplify consulting of technical documentation:

1. Models of same range share the same exploded views, which report the richest set of spare parts: generally, a model does not necessarily have a related spare part for each particular shown on exploded views.
2. Some spare parts can not be represented directly on the exploded views (instruction booklets, specific kit, etc...). You can find those codes in the spare parts list with the same reference of particular where spares are installed or with references 099, 999. Instruction booklets, once managed, appear with 000 reference.
3. On the higher right site of each exploded view there is a serial number which indicates the beginning of the production of certain range: some models might have more than an exploded view for a given category, each distinguished by a different serial no. and linked to another spare parts list, In this case, serial no. is required to supply the right spare part code. Exploded view to be considered is the one with a more recent serial no. but previous than the one of the model that needs assistance.
4. Exploded views might require further updates even after publishing. Addition of new spares will go on following the already existing numeration references. Revision number of an exploded view is shown into last four digits of serial number into upper right hand corner.
5. The spare parts list associated to an exploded view shows related codes of spares managed for a certain model; for each spare part other informations are available:

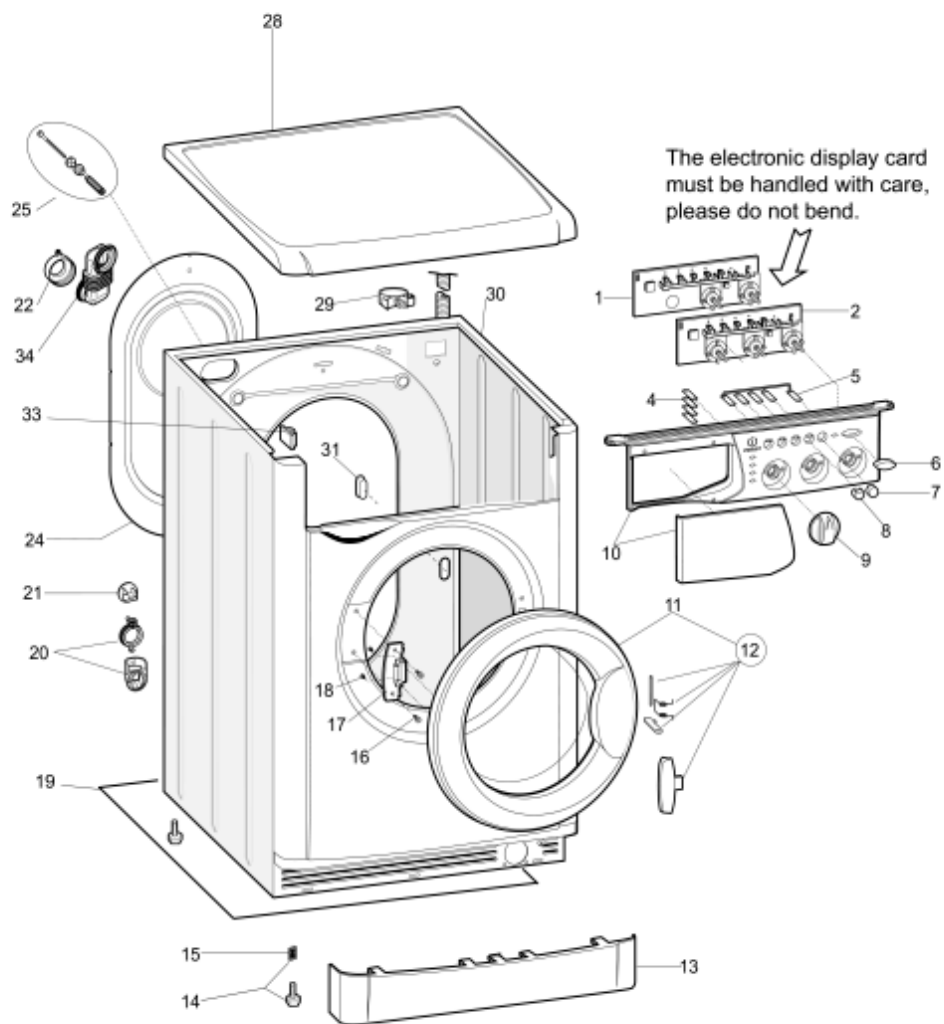
REF: reference no of spare into a table; SUBSTITUTE: list of spare(s) which can replace a code but that keeps same functional characteristics

INDUSTRIAL CODE: list of variables of a model (shown into model label) where such spare is used; NOTICE: code of information(s) to refer to complete technical intervention, track for changes or to find correct spare part code.
6. Some notices, into a same section are generic therefore cannot be directly linked to a spare part. In order to assist a model in the best way as possible, it is helpful to pay attention to all notices and constantly verify documentation updates
7. Technical documentation cover shows model name and its commercial codes

1180160G

Exploded views

Matr. 70803.0001



1180160G

1180160G
list

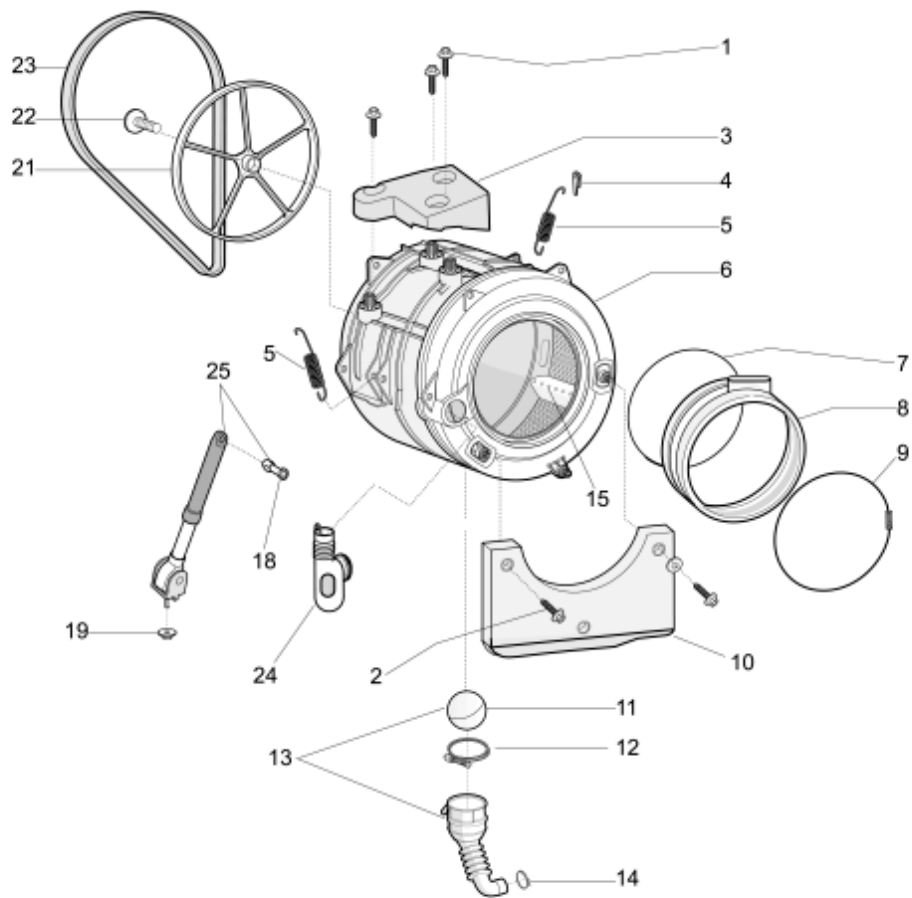
Spare parts

Ref.	Code	From	To S/N	Substitute	Description	Notice	Industrial
000	C00259974				instruction book uk fr		
002	C00143332				control card led 3 knobs ind.eii		
004	C00203128				light guide		
005	C00203127				light guide horizontals		
006	C00259695				pushbutton grey on/off usa		
007	C00259696				pushbutton grey usa		
008	C00259692				pushbutton grey usa		
009	C00259705				components knob grey usa		
010	C00259975				grey control panel + handle		
011	C00257916				door frame and glass assy pw		
012	C00096865				door handle kit evovii indes.		
013	C00259707				plinth grey usa		
014	C00087084				foot - rear m8 h = 2,3 cm		
015	C00083828				spring for foot d =11 mm h = 8,5		
016	C00096210				self-tapping screw 4.8 x8 testfr		
017	C00255430				hinge door 4.5 mm indesit		
018	C00065185				bolt m4,5 x 11		
019	C00090932				base cabinet plate usa normal ph		
020	C00064755				drain hose collar		
021	C00065871				blanking plug		
024	C00116851			1 x C00116923	rear cover - white pw		
025	C00145769				transit bolt		
028	C00259702				top grey + plate		
029	C00046667				wiring stop		
029	C00064550				drain hose holder		
030	C00097826				cabinet silver indes. evovii		
031	C00143911				blanking plate-rear(test plug) ul		
033	C00141387				cable clamp hose		

1180270B

Exploded views

Matr. 70803.0001



1180270B

1180270B

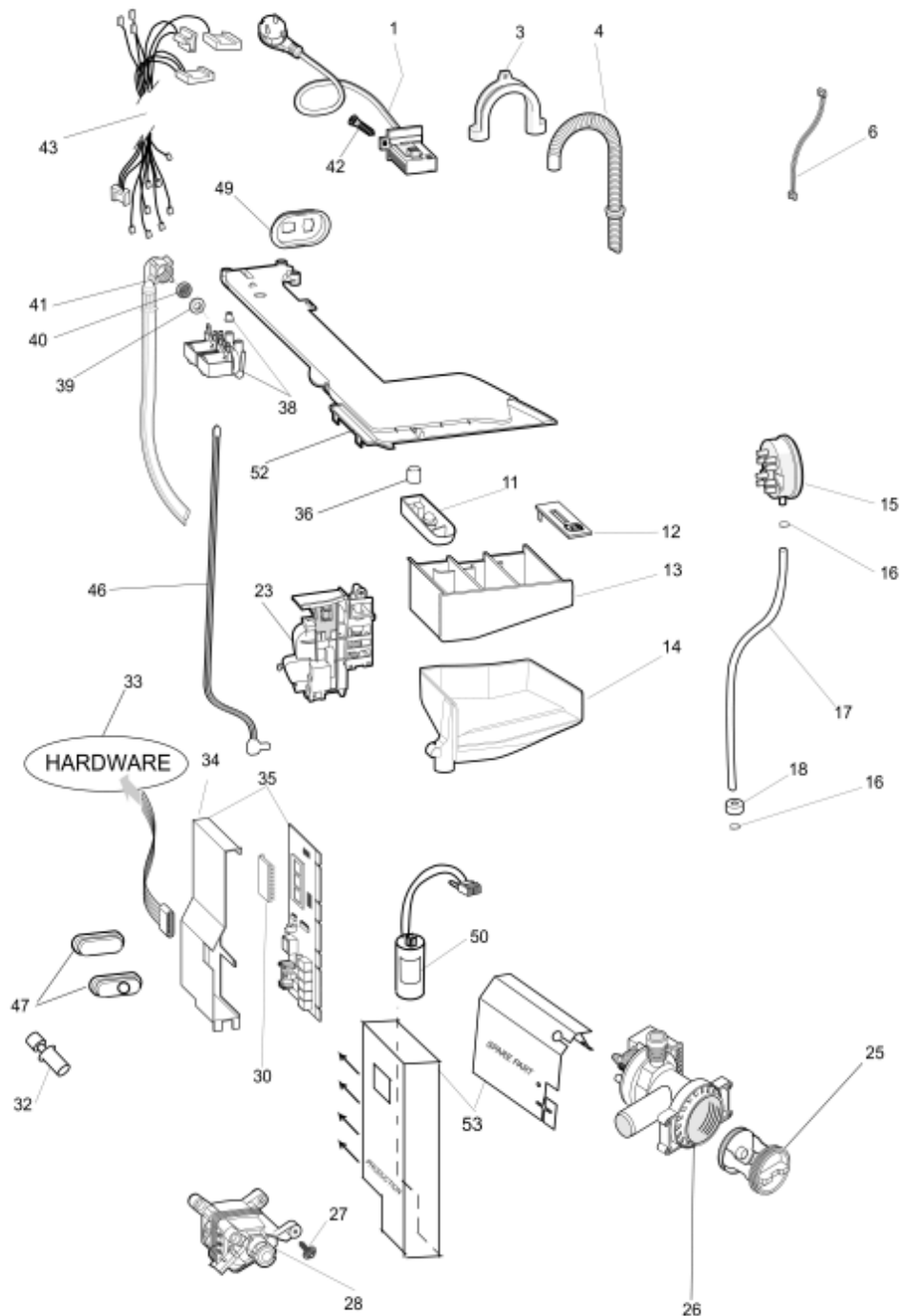
Spare parts list

Ref.	Code	From	To S/N	Substitute	Description	Notice	Industrial
001	C00194612				screw larger diameter 11.3x50 kit		
002	C00194611				screw.pl28 9.5x50 tmtfr t40		
003	C00255400				upper counterweight vpl 9 kg wdl		
004	C00141682				anchorage pad - suspension		
005	C00145754				suspension spring - tank		
006	C00259977				tank plastic pl 52l wd usa		
007	C00092155				door seal retainer rear		
008	C00259981				door bellows seal wd vpl		
009	C00092156				door seal retainer front		
010	C00145205				front counterweight 11,4 kg		
011	C00092172				ball oko evo ii		
012	C00094908				hose clamp		
013	C00257901				outlet hose		
014	C00092411				hose clamp		
015	C00064789				wash paddles (extractable) 46 l		
018	C00118593				plastic expansion rivet		
019	C00065152				nut romob m6x22x1,5		
021	C00199343				drum pulley d=280 mm h=20 mm		
022	C00143260				drum pulley bolt m8x23 torx tefl		
023	C00119126				belt 1201 - 1198 j6		
024	C00255405				hose dispenser to tank vp-wd		
025	C00140744				shock absorber 100 n kit		

1180330C

Exploded views

Matr. 70803.0005



1180330C

1180330C

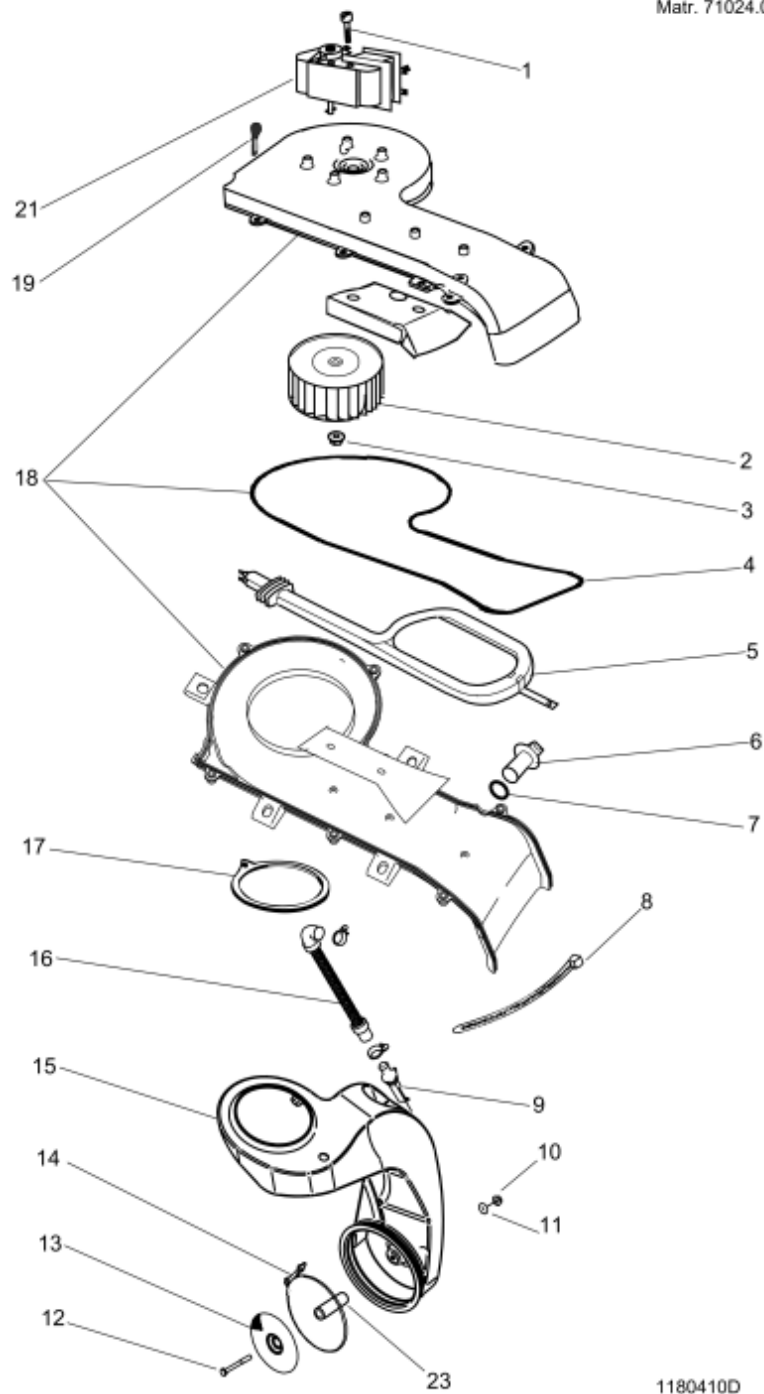
Spare parts list

Ref.	Code	From	To S/N	Substitute	Description	Notice	Industrial
001	C00143912				supply cable usa		
003	C00019902				plastic -u- to make drain hose		
004	C00091775				drain hose to sink		
011	C00075459				additive container		
012	C00097834				additive cover		
013	C00097732				soap dispenser drawer		
014	C00257906				dispenser body wd-usa		
015	C00257922				pressure switch 1 l. 85-60 ul		
016	C00092412				hose clamp		
017	C00144077				pipe pressostat l= 540mm. evo ii		
023	C00257924				thermal lock ul		
025	C00045023				filter handle		
025	C00045025				filter seal		
025	C00045027				filter element kit		
026	C00112504				self cleaning pump 120v 60hz		
027	C00094744				screw locking motor/tub		
028	C00145001				brush motor ceset eame 6170		
028	C00257889				motor three phase (stator 40) vpl		
030	C00259976				eprom wdc7100xcna evovii sw		
032	C00083915				thermistor ntc		
035	C00257960				module three phase less eeprom		
036	C00046157				stopper detergent container		
038	C00064534				seal - electrovale/dispenser		
038	C00110452				electrovalve 1way 5,5lt hot rst2.5		
038	C00116117				3-way electrovalve 1e-3u 7 l		
039	C00005572				sealing washer-mains inlet hose		
040	C00005781				inlet hose filter		
041	C00112930				inlet hose with usa		
042	C00092348				self-scraping screw 3,5x8		
046	C00256761				emergency door release strap		
047	C00112437				hole for heating element		
049	C00257907				electrovalve support 2 ev usa		
050	C00257890				supressor filter ul		
052	C00257905				hopper cover ind.wd-usa		
053	C00254409				protecting module (mylar)		

1180410D

Exploded views

Matr. 71024.0001



1180410D

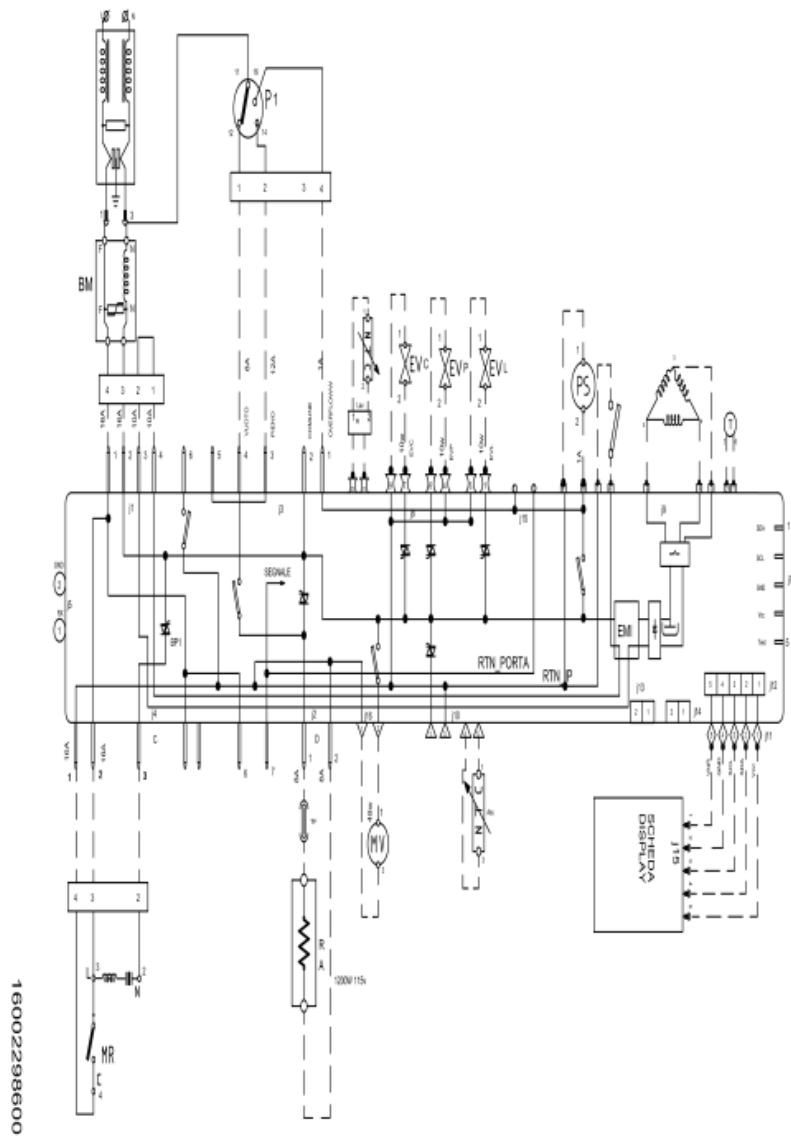
1180410D
list

Spare parts

Ref.	Code	From	To S/N	Substitute	Description	Notice	Industrial
001	C00257959				screw amsp m3.5x35 t.e.		
002	C00255435				blower fan for motor wd vpl		
003	C00032972				blower fixing nut		
004	C00255437				blower manifold seal vpl		
005	C00257859				dryer heating element 120v		
006	C00083915				thermistor ntc		
007	C00255434				o-ring d= 8.75 wd vpl		
008	C00033210				hose clamp fastex 350 mm x 7.8		
009	C00032845				restrictor seat		
010	C00080960				self blocking nut m5		
011	C00097378				connection gasket		
012	C00259997				bolt m5x55 te inox430 x wd vpl		
013	C00143949				lint filter		
014	C00080774				hose clamp		
015	C00255440				steam condenser vpl		
016	C00080769				hose electrovalve condenser		
017	C00255433				seal - condenser / tank vpl		
018	C00255444				blower manifold kit vpl 52 lt		
019	C00054790				screw trilob m5 x 16 tcb t.e. st		
021	C00110434				dryer fan motor 115v.60hz		
023	C00255439				clip vpl		

Electric schemes and links

Cod. 16002298600=C00257

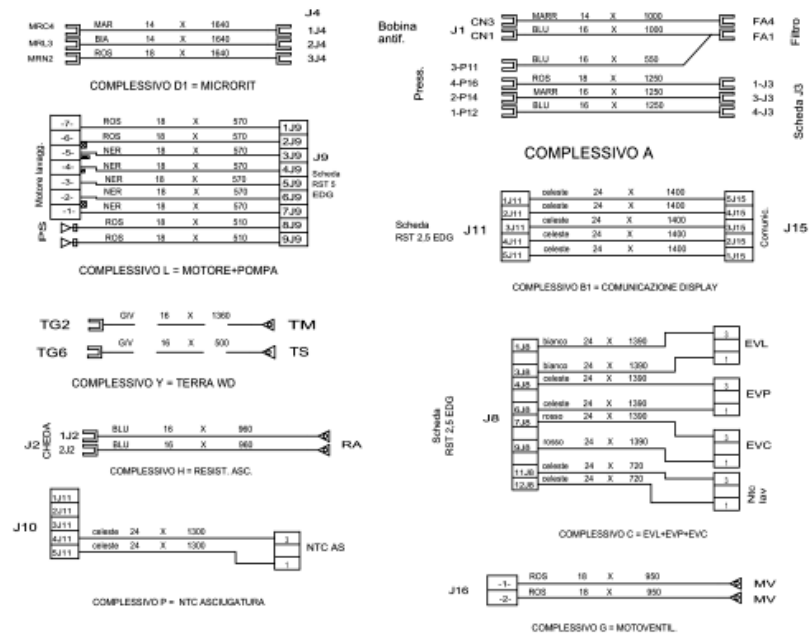


Legend

Legend: 16002298600=C00257

Electric schemes and links

Cod. 21014728600



21014728600

Legend

Legend: 21014728600