

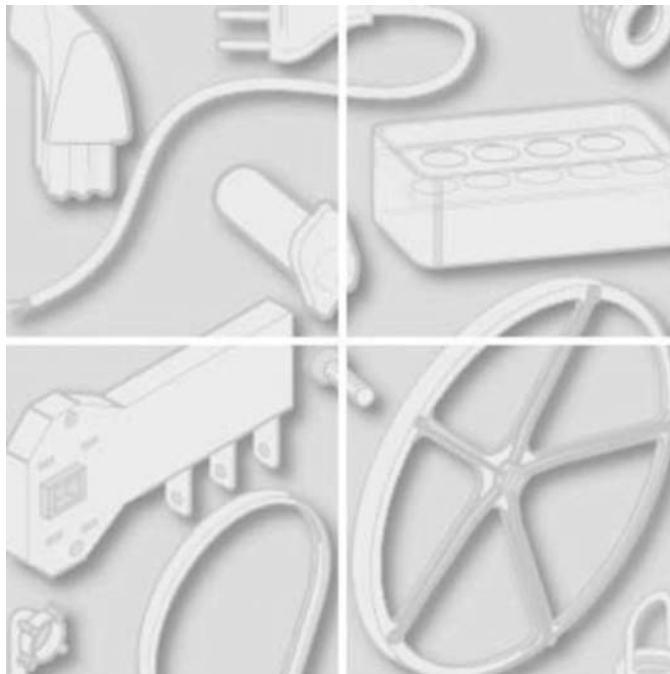


# ARISTON

---

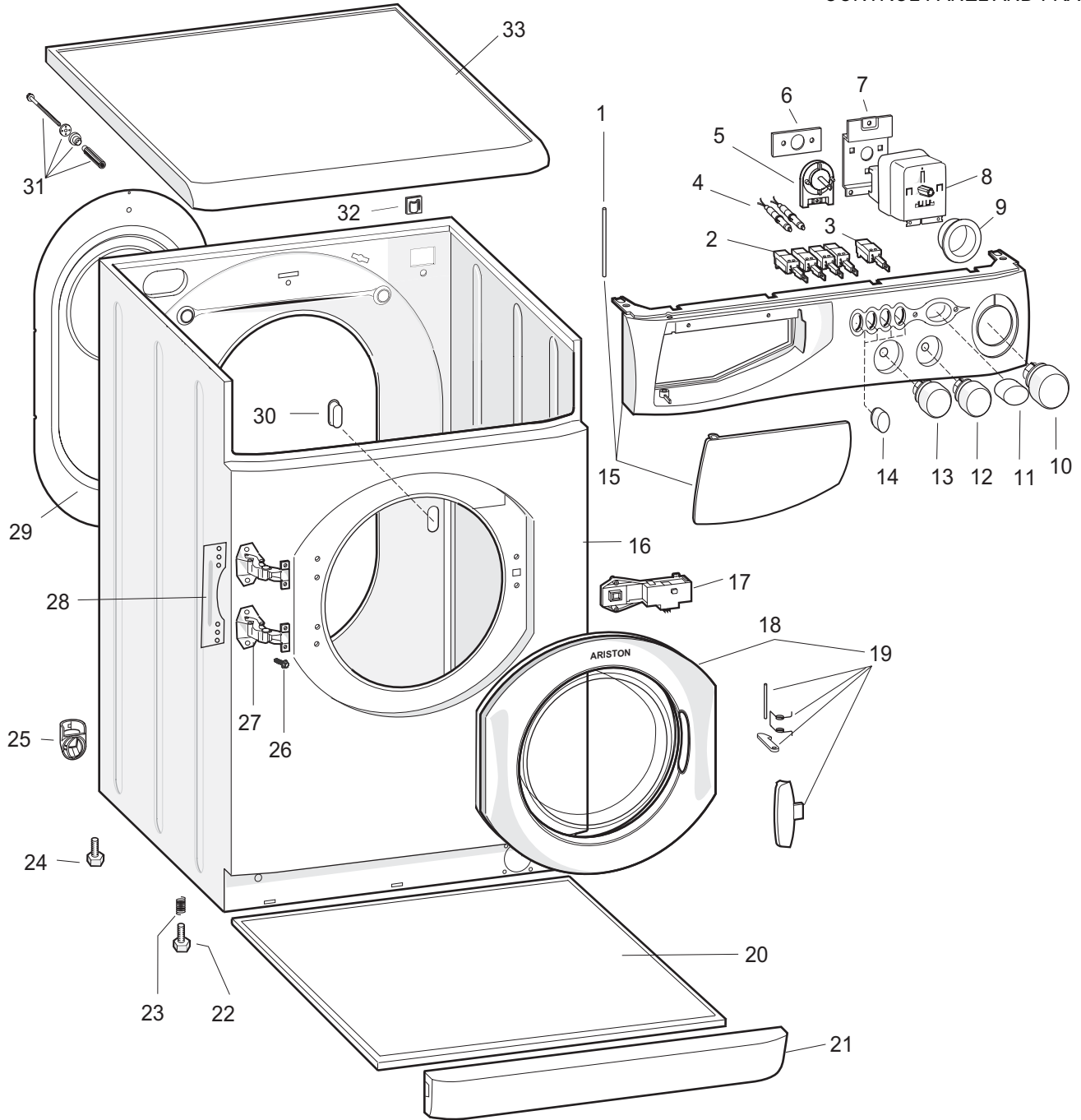
## REPAIR PART DIAGRAMS

---

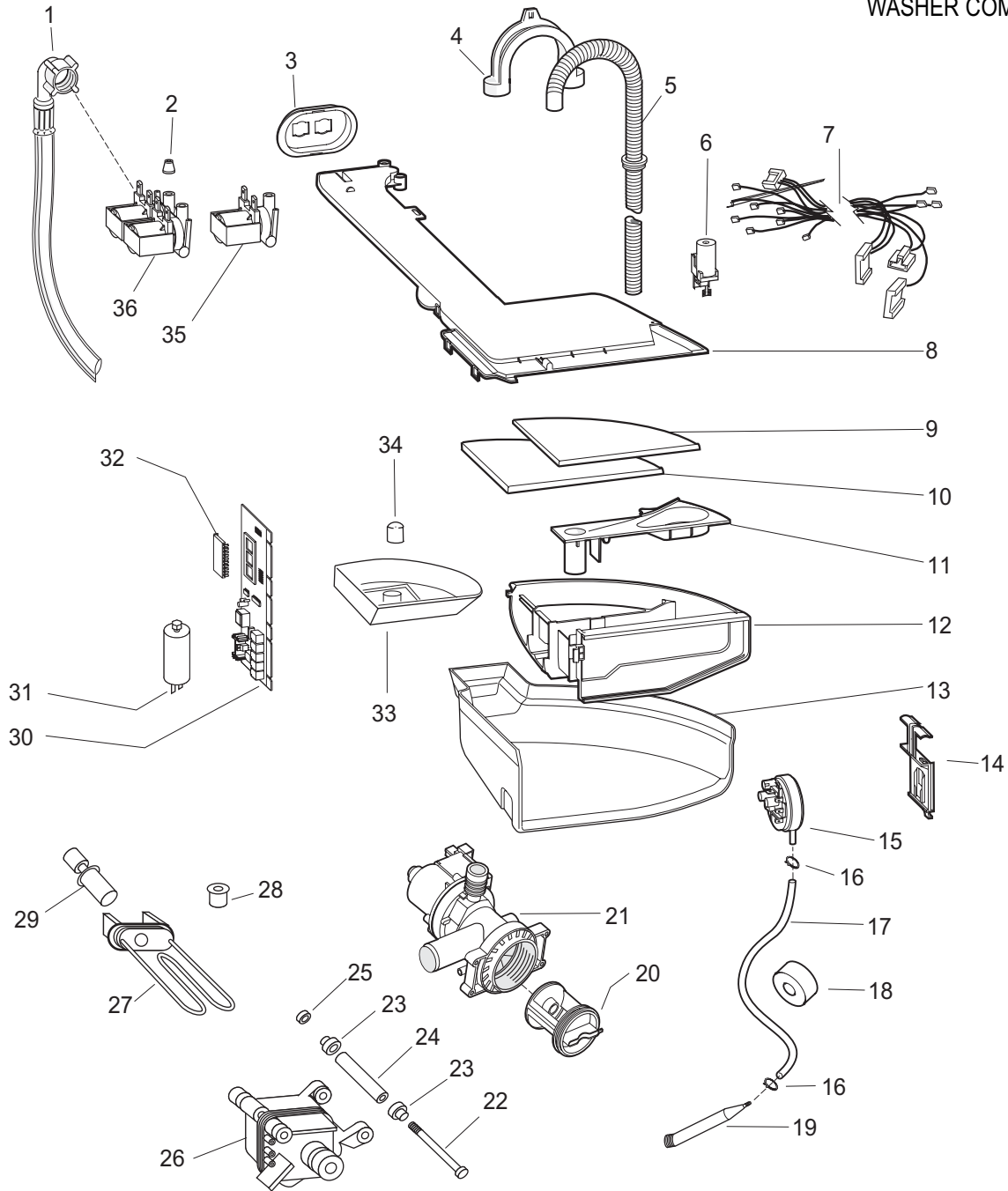


**PRODUCT: WASHER**

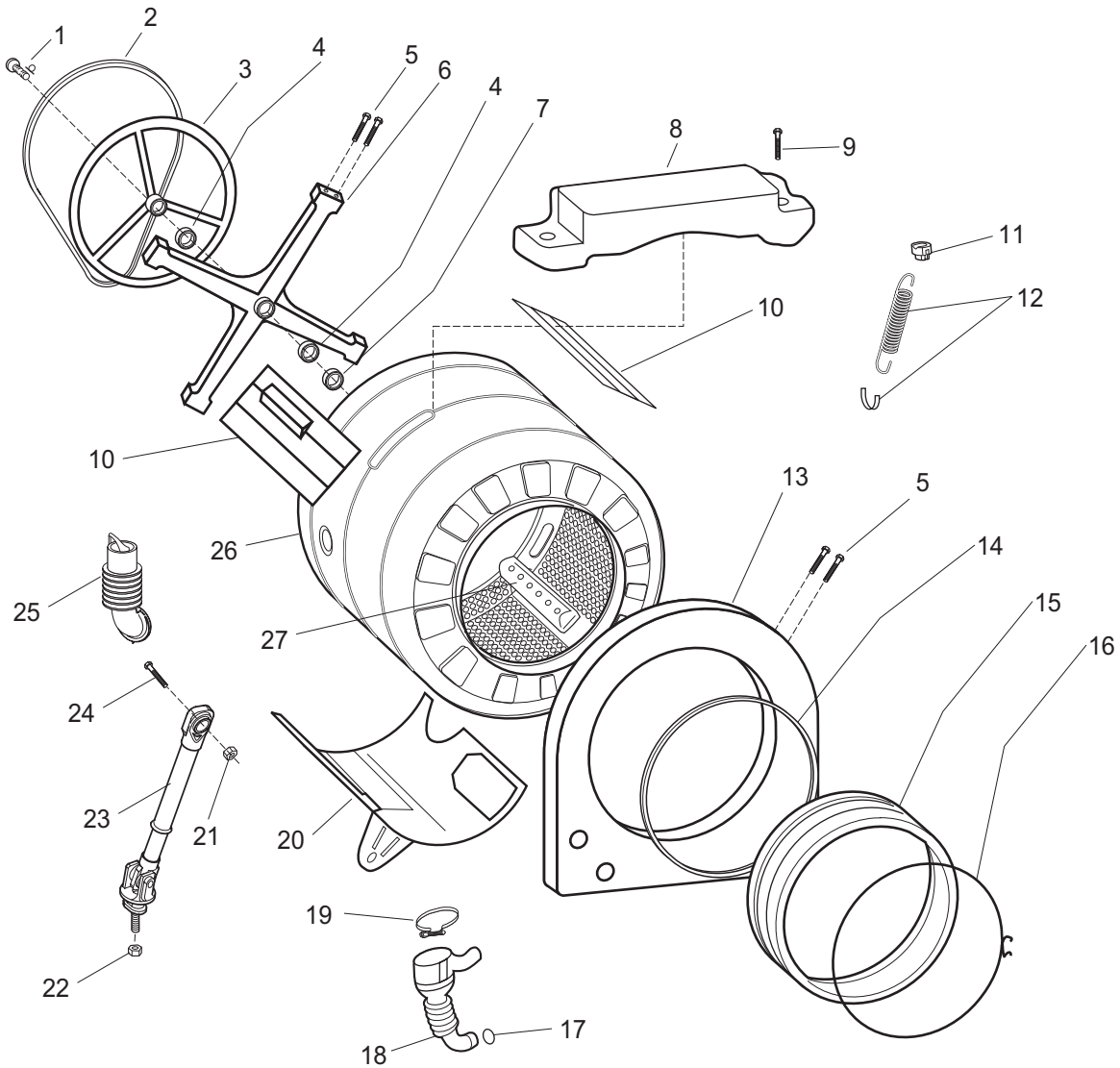
**MODEL: AW 122**



Item	Part #	Description	Item	Part #	Description
1	065186	Pivot Pin, Dispenser Drawer	18	064540	Door Assy.
2	088394	Selector Switch	19	065250	Door Handle Assy.
3	090218	On / Off Switch	20	098183	Base Plate
4	086663	Indicator Lamp	21	110325	Toe Kick, White
5	085195	Potentiometer, Spin Speed or Water Temp.	22	087084	Front Leveling Leg
6	099627	Mounting Plate, On-Off Switch	23	064502	Spring
7	064784	Bracket, Timer Support	24	081701	Rear Leveling Leg
8	090195	Program Selector	25	046666	Collar, Drain Hose
9	112972	Program Disc	26	074149	Bolt M4X9
10	064506	Wash Timer Knob, White	27	064541	Door Hinge Assy.
11	064509	Button, White	28	064539	Plate, Door Hinge
12	099637	Thermostat Knob, White	29	099313	Rear Cover, White
13	074147	Spin Speed Knob, White	30	084817	Cap
14	064507	Button, White	31	098182	Shipping Bolt Kit
15	112937	Control Panel Assy., White	32	041575	Adhesive Hook
16	090582	Cabinet, White	33	112436	Top Panel, White
17	090199	Door Interlock			

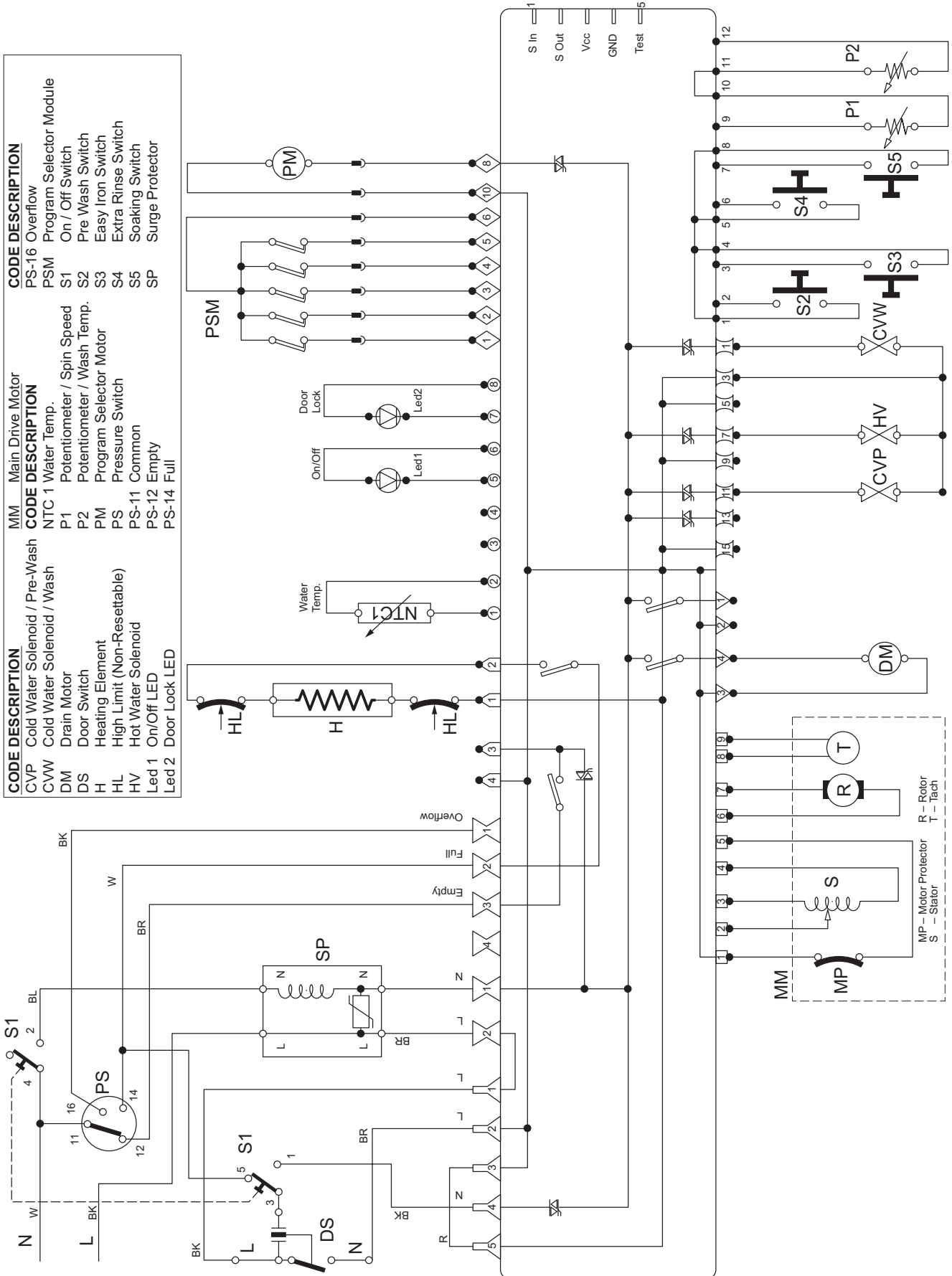


Item	Part #	Description	Item	Part #	Description
1	069227	Inlet Hose	19	092173	Air Trap
2	064534	Seal, Water Valve	20	045027	Filter, Drain Pump
3	066514	Support Water Valve	21	112504	Drain Motor
4	019902	Support Drain Hose	22	074152	Bolt M6X30
5	027466	Drain Hose	23	074151	Rubber Bushing
6	090332	Filter, Electronics	24	074153	Spacer
7	112977	Wire Harness	25	065152	Nut M6
8	110431	Dispenser Cover	26	090196	Main Motor
9	109505	Program Guide	27	112938	Heating Element (1700w)
10	065733	Support, Program Guide	28	058523	Retainer
11	046154	Fabric Softener Cover	29	083915	Temperature Sensor (NTC)
12	046148	Soap Dispenser Drawer	30	109898	Control Board (must also order 112936)
13	092176	Soap Dispenser Housing	31	091054	Surge Protector
14	064537	Support, Pressure Switch	32	112936	EEPROM Program Chip (must also order 109898)
15	090200	Pressure Switch	33	046152	Additive Container
16	092412	Clamp	34	046157	Stopper, Detergent Dispenser
17	041785	Hose, Air Trap	35	110452	Water Valve (hot)
18	019755	Foam Vibration Damper	36	110453	Water Valve, Dual (cold)



Item	Part #	Description	Item	Part #	Description
1	064782	Bolt M8X20	15	112498	Boot
2	074218	Belt	16	064546	Boot Clamping Ring
3	074211	Drum Pulley	17	092411	Clamp
4	013563	Bearing	18	092174	Hose, Tank to Pump
5	064785	Bolt M8X22	19	091148	Clamp
6	096077	Support Frame	20	093848	Tank Cradle, Outer
7	096186	Seal	21	098723	Nut M8
8	064548	Upper Counterweight	22	065152	Nut M6X20X1
9	088408	Bolt	23	098722	Shock Absorber
10	064517	Tank Cradle, Left & Right	24	098724	Bolt M8X45
11	064515	Spring Anchor	25	092161	Hose, Dispenser to Tank
12	064502	Spring	26	094279	Drum Assembly, Inner & Outer
13	092178	Front Counterweight	27	064789	Agitator
14	064547	Boot Clamp			

CODE DESCRIPTION	MM Main Drive Motor	CODE DESCRIPTION
CVP Cold Water Solenoid / Pre-Wash	NTC 1 Water Temp.	PS-16 Overflow
CVW Cold Water Solenoid / Wash	P1 Potentiometer / Spin Speed	PSM Program Selector Module
DM Drain Motor	P2 Potentiometer / Wash Temp.	S1 On / Off Switch
DS Door Switch	PM Program Selector Motor	S2 Pre Wash Switch
H Heating Element	PS Pressure Switch	S3 Easy Iron Switch
HL High Limit (Non-Resettable)	PS-11 Common	S4 Extra Rinse Switch
HV Hot Water Solenoid	PS-12 Empty	S5 Soaking Switch
Led 1 On/Off LED	PS-14 Full	SP Surge Protector
Led 2 Door Lock LED		





## **FAULT CODES**

A repair fault is signaled by the continuous rotating of the Program Knob and the flashing of the Door Locked LED. The Fault Code is determined by counting the sequence of individual flashes of the LED (2 flashes = F2). The LED will flash the Fault Code sequence and then delay for approximately eight (8) seconds, repeating the Fault Code sequence and eight second delay continually.

**TECH NOTE:** The unit can be turned off without harm and the Fault Code sequence will repeat when power is reapplied.

### **F1. Triac Short**

Replace Control Board.

### **F2. Main Motor**

Check Main Motor connections.  
Replace Main Motor.  
Or, replace Control Board.

### **F3. NTC (Water Temp) Open / Short**

Check wiring continuity to Control Board.  
Replace NTC.  
Or, replace Control Board.

### **F4. Pressure Switch**

Check wiring continuity to Control Board.  
Replace Pressure Switch.  
Or, replace Control Board.

### **F5. Blocked Drain Motor or Pressure Switch shorted in Empty position**

Check Drain Hose.  
Check Drain Motor clean out for obstruction.  
Check voltage at Drain Motor.  
Check Pressure Switch wiring continuity.  
Replace Drain Motor / Pressure Switch.  
Or, replace Control Board.

### **F6. Program Selector**

Check wiring continuity to Control Board.  
Replace Program Selector.  
Or, replace Control Board.

### **F7. Not Used**

### **F8. Pressure Switch Shorted in Full Position**

Check Pressure Switch wiring continuity.  
Or, replace Pressure Switch.  
Or, replace Control Board.

### **F9. Control Board Error**

Incorrect version of Control Board or EEPROM.  
Change Control Board and EEPROM.

### **F10. Pressure Switch Shorted**

Check wiring continuity to Control Board.  
Replace Pressure Switch.  
Or, replace Control Board.

### **F11. Drain Motor**

Check wiring continuity to Control Board.  
Check Drain Motor clean out for obstruction.  
Voltage check at Drain Motor.  
Check Pressure Switch.  
Replace Drain Motor.  
Or, replace Control Board.

### **F12. Not Used**

## **F13 - F16 Apply Only to AWD 120**

### **F13. NTC (Dryer Temp) Open / Short**

Check wiring continuity to Control Board.  
Replace NTC.  
Or, replace Control Board.

### **F14. Dryer Heating Element is Open**

Check Dryer Heating Element continuity.  
Check wiring from Element to Control Board.  
Replace Heating Element.  
Or, replace Control Board

### **F15. Dryer Heating Element Relay Shorted**

Check Dryer Heating Element continuity.  
Check wiring from Element to Control Board.  
Replace Control Unit.

### **F16. Not Used**