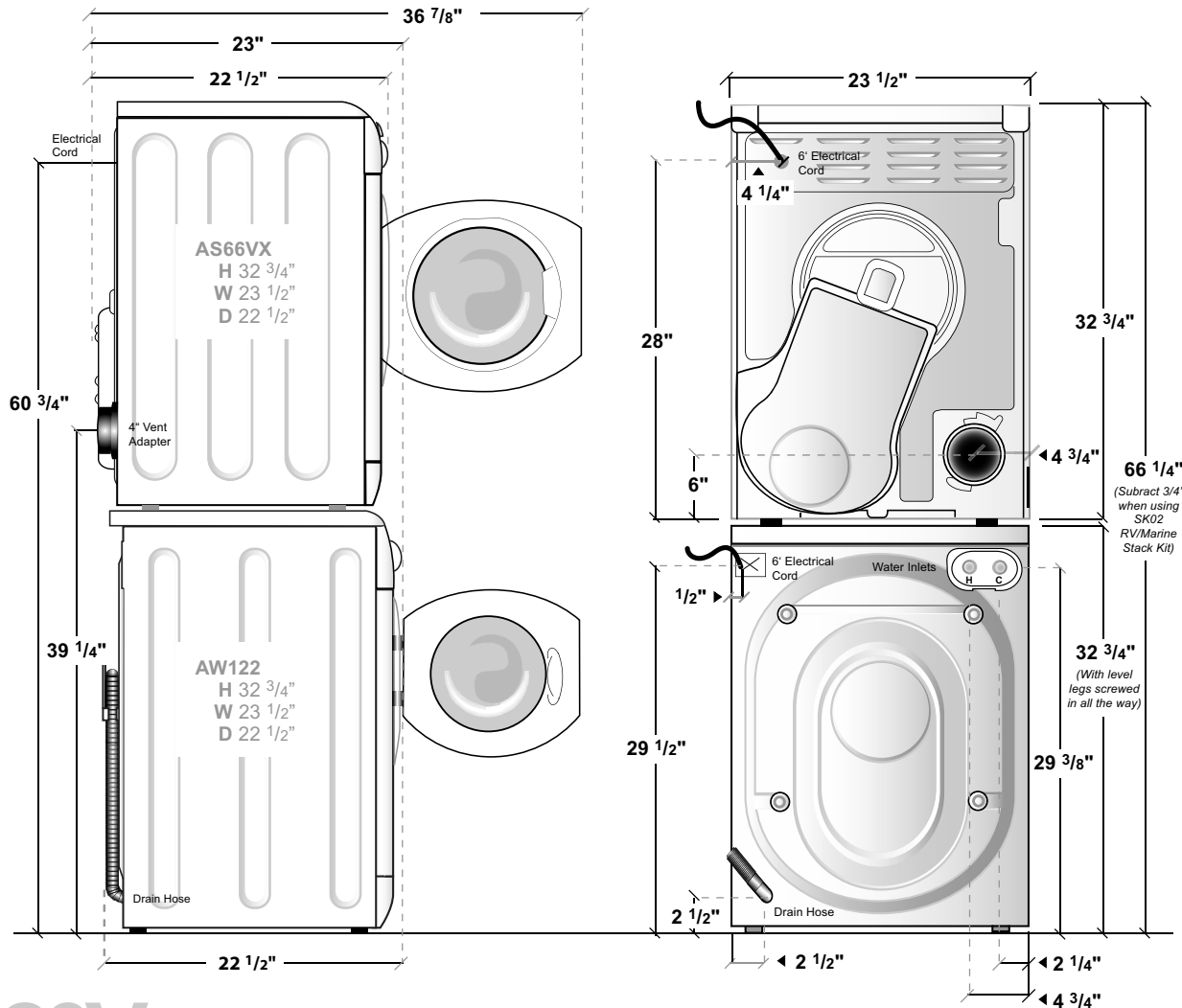
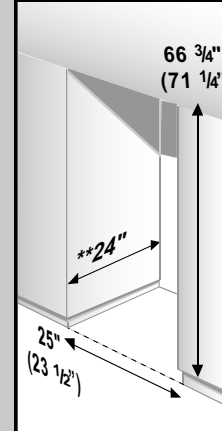


Data Sheet: Ariston Washer and Stackable Dryer (120V) by Splendide



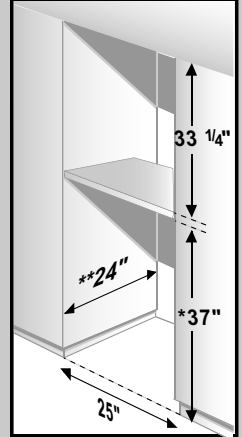
Min. Cutout Dimensions



(Alternative clearances shown in parenthesis)

NOTE: Allow space for easy servicing and removal. Always refer to installation instructions that come with the units for complete instructions.

Suggested Shelf Installation



TIP: When installing the dryer on a shelf above the washer, leave space behind the shelf (or leave an access hole) so the dryer ducting can be connected before the washer is slid into its final installation location. (see NOTE left)

*4-1/4" has been added to this dimension for easy access to water shut-off valves.
** Min. dimension shown. Dimension may increase depending on standpipe location.

Included with AW122 Washer



Side-Mounting Stack Kit included with AS66VX Dryer

Available Accessories	Cusom RV/Marine Installation Accessories
<ul style="list-style-type: none"> PI22 Drain-A-Way Pan 154187104A Faucet Adapter Kit 1005 All-Natural HE Laundry Powder 	<ul style="list-style-type: none"> VI422 Standard Vent Kit VID401 Deluxe Vent Kit MK01 SecureFit Brackets SK02 RV/Marine Stack Kit

120V Product Model Numbers

AW122: Front-Loading Washer

AS66VX: Vented Dryer

Installation Location Requirements:

- Recessed area, closet, or alcove.
- Solid, level floor. Must support 280 lbs. min.
- Towable trailer/watercraft: position over axles/midship. Block in to prevent extreme movement.

Min. Clearances (from case)

- **AW122:** 0" Sides, 1" Front/Back.
- **AS66VX:** Standard 1/2" Top, 3/4" Sides/Rear/Front. Alternative 4" Top, 0" Sides, 3/4" Rear/Front.

NOTE: Allow additional clearances for easy maintenance and removal.

Electrical Requirements:

- **AW122:** 120V/60 Hz, 1350W/13Amp (15Amp separate circuit)
- **AS66VX:** 120V/60 Hz, 12Amp (15Amp separate circuit)

Standpipe Drain System Req:

- Min. 1 1/4" diameter standpipe with 7 GPM

carry-away capacity.

- Distance from bottom of washer case to top of standpipe: min. 25", max. 34"
- Min. distance from bottom of washer case to outlet end of drain hose: 20"
- Air break required to avoid siphoning.

Dryer Exhaust Requirements:

- DO NOT exhaust into chimney, furnace, cold air duct, attic, crawl space, or another duct used for venting.

- Two 72 sq. inch ventilation openings req. if using a closet door. Louvered doors with equiv. air openings are acceptable. (Allow clearance for knobs, buttons, cabinet moldings, etc.)
- Rigid or flexible metallic duct required (NOT INCLUDED). Ducting must slope downwards and away from the machine.

