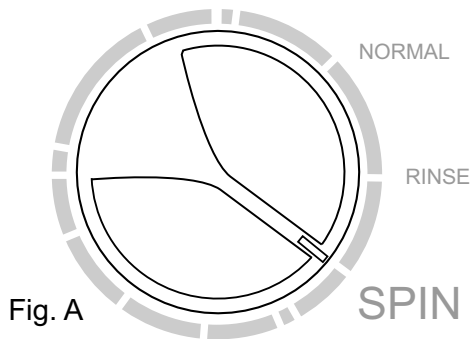


CLEANING THE FILTER

Follow these simple instructions to clean your washer-dryers' drain filter:

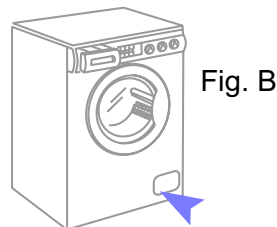
IT'S EASY!

Before you begin: place a towel beneath the filter area to catch the small amount of water that may come out.



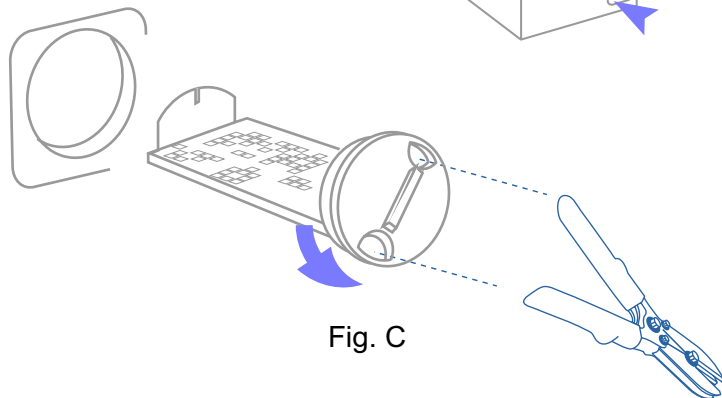
With the machine empty and OFF, turn the Program Selector Knob to the start of the first spin cycle (Fig. A).

Now push the power button ON. The machine will begin spinning.
NOTE: You will have two min. from spin start to clean the filter before the pump begins cycling water.



Open the service door by pressing on the left side (Fig. B).

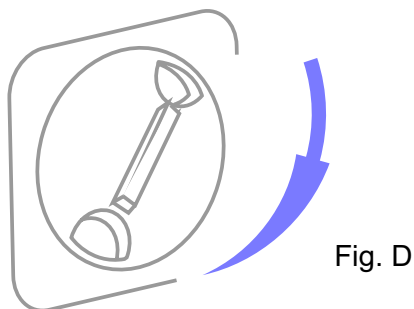
Turn the filter counter-clockwise (Fig. C) to release it from its housing. Pull it out.
NOTE: If you have difficulty, the rubber handle ends of pliers or a similar tool can be used to unscrew or tighten the filter.



Clean the filter under running water to help remove all lint and debris.

Replace the filter by sliding it back into its housing and turning clockwise to tighten securely.

Close the service door. Turn the machine power OFF.



done!

The drain filter protects the pump from lint and foreign matter and **MUST** be cleaned regularly.