

Replacement Door Handle Kit Installation: Splendide Washer-Dryer

PART#090216 & 081746 / 082299

Opening the Door if Handle is Broken

1. Unplug the power cord from the outlet and wait 10 min.
2. Gently wedge the end of a Flat Head screwdriver into the gap between the broken piece of the handle and the door hook.
3. Next, while pushing towards the door, pull the screwdriver handle to the right.
4. Then, pull the screwdriver towards you while holding the door handle to the right to open the door.



CAUTION

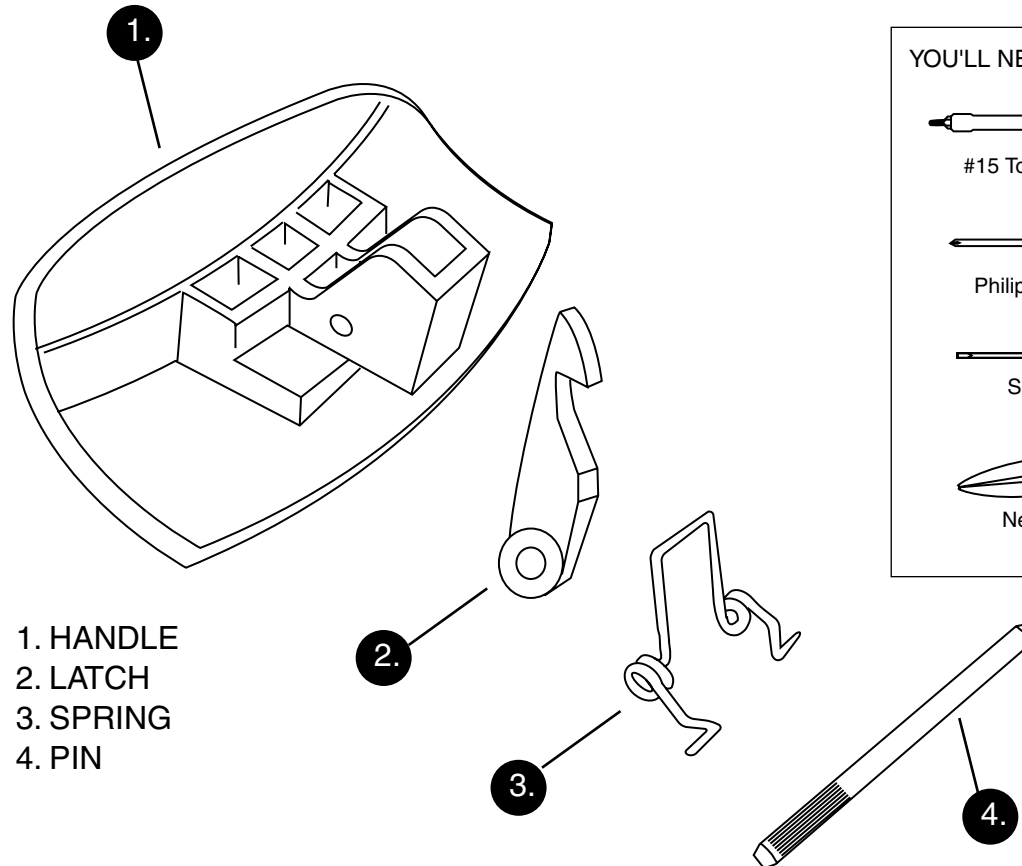
Be sure that the washer-dryer power ON/OFF button is in the OFF position and that the electrical cord is unplugged before working on the machine

ATTENTION

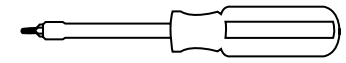
The titanium style doors and handles can become scratched if handled improperly. Always place a soft cloth beneath these parts when laying them on a flat surface.

SPLENDIDE DIV. WESTLAND SALES
Clackamas, OR / Elkhart, IN
Phone: 503-655-2563 (800-356-0766)
www.splendide.com

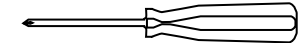
PARTS IDENTIFICATION



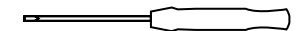
YOU'LL NEED:



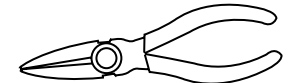
#15 Torx Head Screwdriver



Philips Head Screwdriver



Small Screwdriver



Needle Nose Pliers

1. HANDLE
2. LATCH
3. SPRING
4. PIN

INSTALLATION INSTRUCTIONS

PART#090216 - titanium

PART#081746 / 082299 - white

Door Handle Replacement Kit

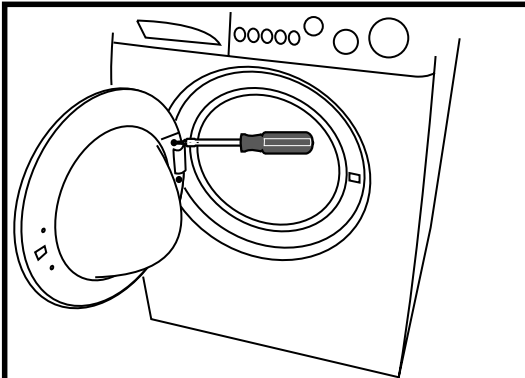
For Splendide Combination Washer-Dryer

Splendide[®]
Laundry Centers

Replacement Door Handle Kit Installation: Splendide Washer-Dryer

PART#090216 & 081746 / 082299

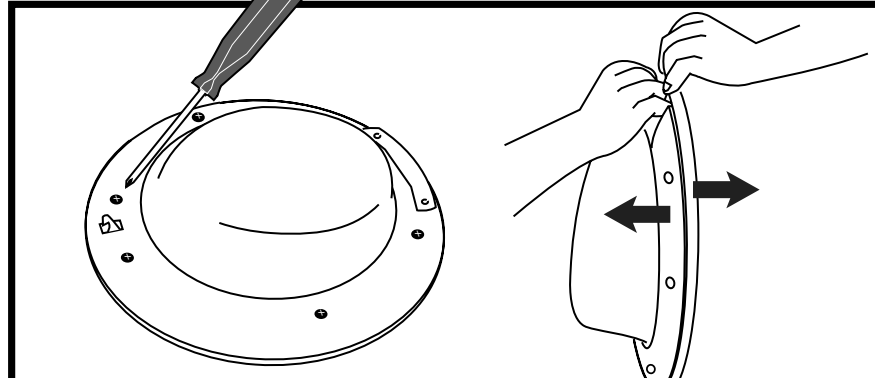
INSTALLATION INSTRUCTIONS



Step 1

Step 1: Remove Door From Hinge

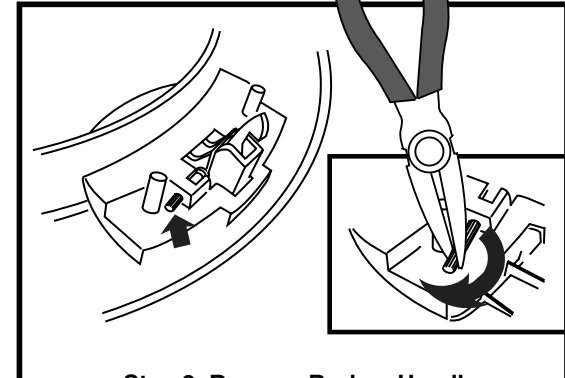
Remove the two door-to-hinge torx screws. Then, lift the door from the hinge.



Step 2

Step 2: Remove Door Ring

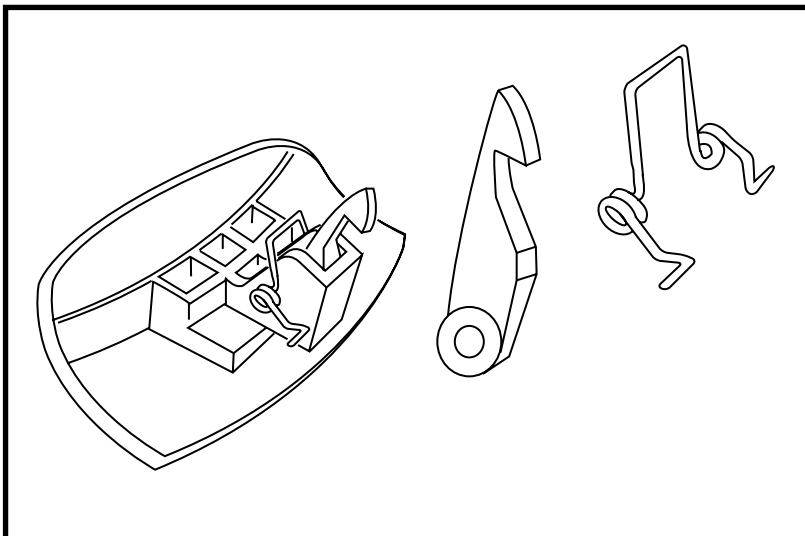
Remove the six screws that hold the door ring and handle. Then, pull the door ring from the rest of the door assembly.



Step 3

Step 3: Remove Broken Handle

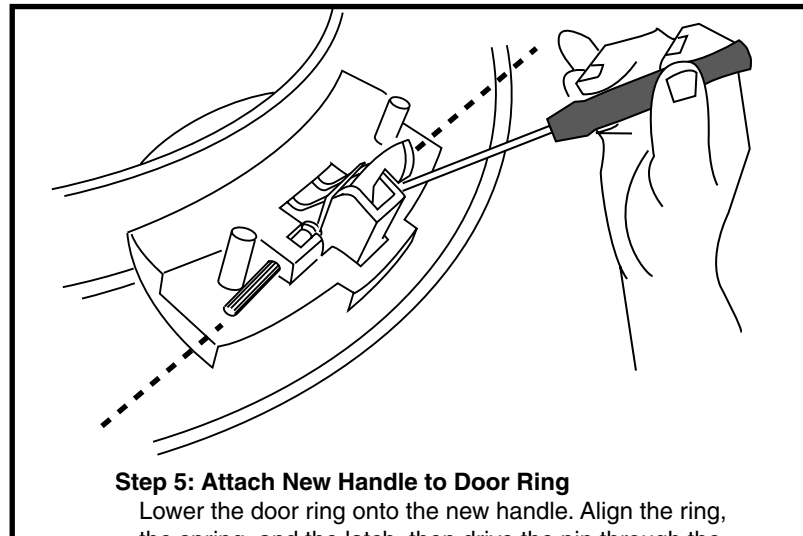
Slowly pull the door pin out by rocking the needle nose pliers back and forth. Discard the old pin and broken handle.



Step 4

Step 4: Assemble New Handle

Place the latch in the handle. Next, rest the spring on the latch. **IMPORTANT: Assure that the latch and the spring are facing the correct direction. (see drawing)**



Step 5

Step 5: Attach New Handle to Door Ring

Lower the door ring onto the new handle. Align the ring, the spring, and the latch, then drive the pin through the latch and **STOP**.

Next, use a small screwdriver to align the latch, spring, and ring on the other side. Now, drive the pin the rest of the way through.

Step 6

Step 6: Finish Installation

Reattach the door ring and new handle to the rest of the door assembly. Then, reattach the door to the machine.

If you are unable to successfully complete this installation yourself, please call our Service Headquarters toll-free: **1-800-356-0766**